

Parts Book

GARUDAN®

GPS-0402 series



ANITA B, s.r.o.

Hliníky 2068

680 01 Boskovice

Czech Republic

fax: +420 516 452 751

tel: +420 516 454 774, 516 453 496

e-mail: info@anita.cz

CONTENTS

I Machine Part

A. Arm, Bed & Machine Body Parts	4
B. Upper Shaft Mechanism	8
C. Lower Shaft Mechanism	10
D. Presser Plate Mechanism	12
E. Thread Release & Thread Tension Mechanism	14
F. Wiper Mechanism	16
G. Thread Trimmer Mechanism	18
H. X-Y Mechanism	20
I. Feed Mechanism	22
J. Lubrication Mechanism	24
K. Table & Thread Stand	26
L. Accessories	28

II Control Part

M. Control Box Mechanism	30
N. Operation Unit Mechanism	32
O. Pedal Mechanism	34
P. Cable Unit	36

III Pneumatic Type

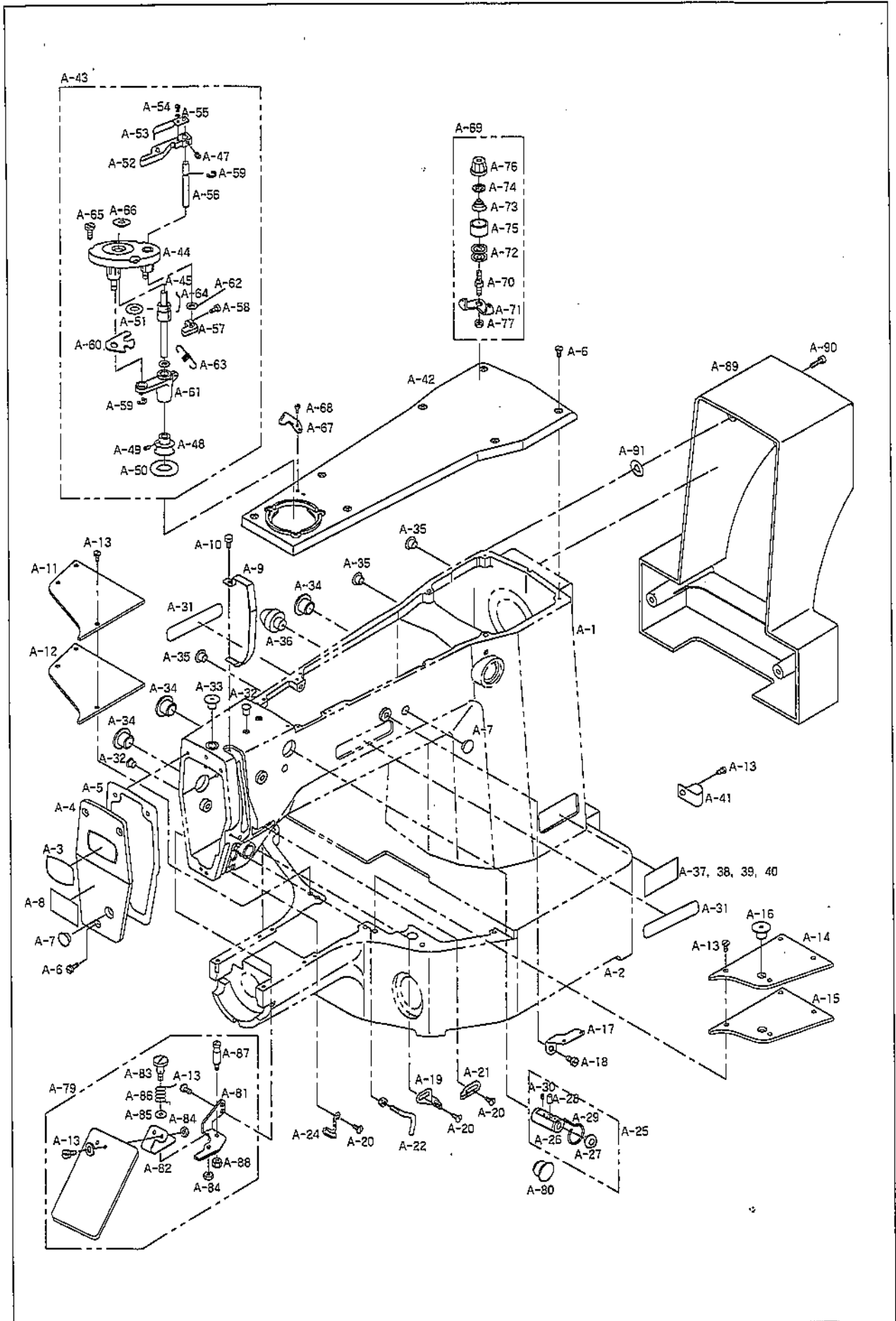
Q. Feed Mechanism	38
R. Thread Trimmer Mechanism	40
S. X-Y Mechanism	41
T-I. Air Control Mechanism	42
T-II. Air Control Mechanism (I)	44
U-I. Wiper Mechanism(Optional)	46
U-II. Upper Thread Holding Device(Optional)	48
V-I. Pedal Mechanism.....	49
V-II. Needle Cooler Device(Optional)	50
W. SPS/B-B1201M (HP)	52

IV Option Parts

X. Option Parts	54
-----------------------	----



Arm, Bed & Machine Body Parts



Ref. No.	Parts No.	Notes	Name of Parts	Quantity	Assembly No.
A-1	01-002A-120D		Arm	1	
A-2	01-003A-120H		Bed	1	
A-3	01S006S-306H		Brand Mark(Face Plate)	1	
A-4	01-007A-120H		Face Plate	1	
A-5	01-008M-120H		Face Plate Gasket	1	
A-6	SC-A174-4122		Screw(11/64" n=40)	10	
A-7	01-110R-1230		Rubber Cap for Face Plate	1	
A-8			Caution Sticker	1	
A-9	01-011A-120H		Take-up Lever Cover	1	
A-10	SC-A170-4124		Screw(9/64" n=40)	1	
A-11	01-013A-120H		Bed Cover(L)	1	
A-12	01-014M-120H		Bed Cover Gasket(L)	1	
A-13	SC-0175-1230		Screw(11/64" n=40)	14	
A-14	01-016A-120H		Bed Cover(R)	1	
A-15	01-017M-120H		Bed Cover Gasket(R)	1	
A-16	44S061S-306H		Oil Tank Rubber Cap	1	
A-17	01-027A-1230		Thread Guide	1	
A-18	01-027C-1230		Nut	1	
A-19	01-003C-250B		Thread Guide(L)	1	
A-20	SC-0529-3125		Screw(9/64" n=40)	3	
A-21	01S031S-306H		Thread Guide(R)	1	
A-22	01S033S-306H		Arm Thread Guide	1	
A-23	01S034S-306H		Nut(9/64" n=40)	1	
A-24	01-028C-120H		Thread Guide(L)	1	
A-25	01S037S-306H	H	Silicon Tank Ass'y	1Set	
A-26	01S038S-306H	H	Silicon Tank	1	
A-27	01S039S-306H	H	Silicon Oil Window	1	
A-28	01S040S-306H	H	Silicon Felt	1	
A-29	01S041S-306H	H	Felt for Silicon Oil Supply	1	
A-30	SC-0499-4515	H	Screw(11/64" n=40)	1	
A-31	01S064S-306H		Brand Mark	2	
A-32	04-104R-1230		Arm Upper Part Rubber Cap	3	
A-33	01-110R-1230		Needle Bar Rubber Cap	2	
A-34	01-042R-640L		Rubber Cap(L)	3	
A-35	01-007R-8030		Rubber Cap(S)	6	
A-36	01-073R-120H		Bed Rubber	1	
A-37	01-041M-120D	H	Model Sticker(H)	1	
A-38	01-042M-120D	M	Model Sticker(M)	1	
A-39	01-043M-120D	L	Model Sticker(L)	1	
A-40	01-044M-120D	K	Model Sticker(K)	1	
A-41	01-009R-2700		Cable Holder	3	
A-42	01-051A-120H		Top Cover	1	
A-43	41-101A-120H		Bobbin Winder Ass'y	1Set	
A-44	41S001S-306H		Bobbin Winder Base	1	
A-45	41-005A-120H		Bobbin Winder Shaft	1	

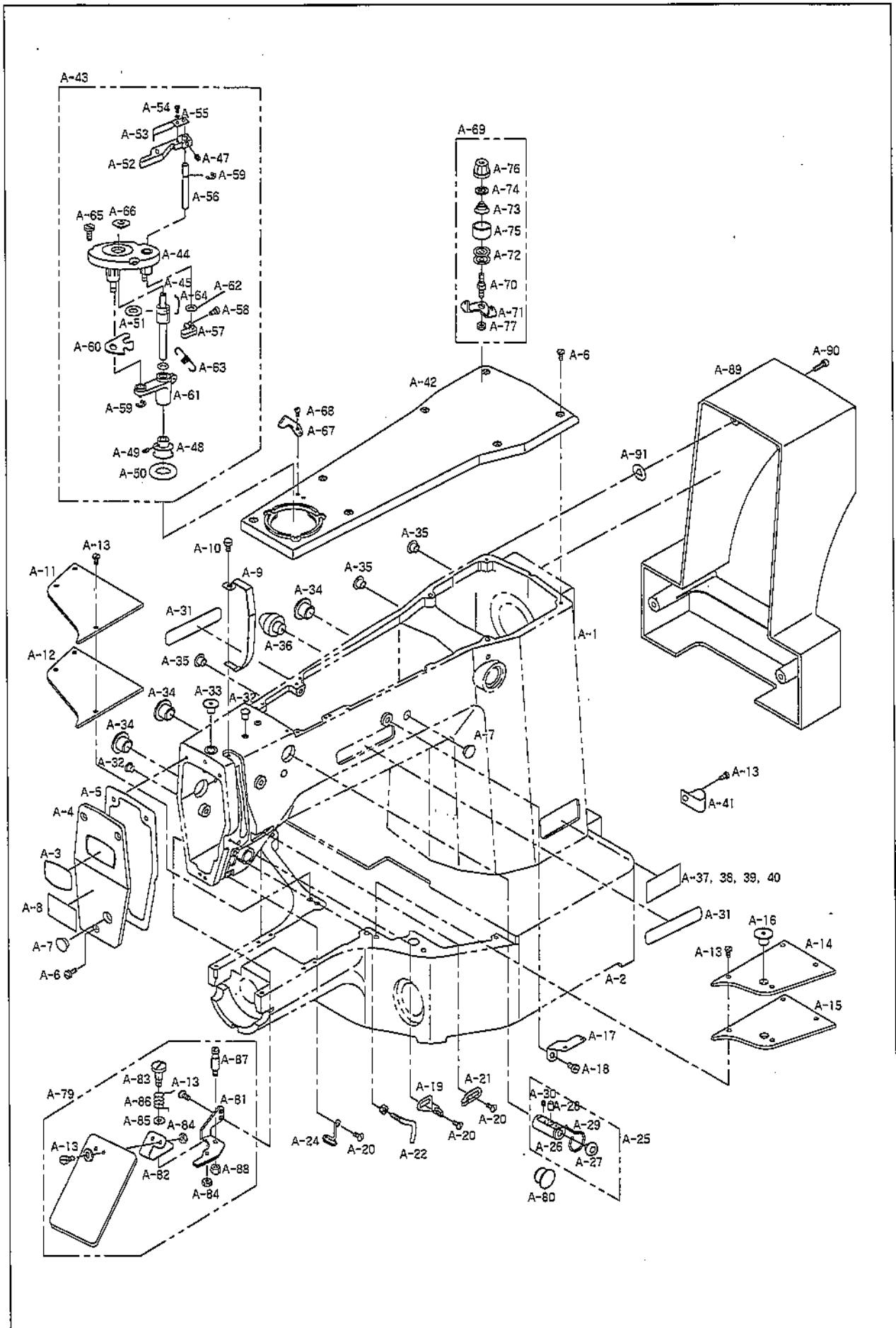
Note: H—Heavy Material
L—Light Material

M—Medium Material
K—Knit Material

HA—Pneumatic Heavy Material



Arm, Bed & Machine Body Parts



Part No.	Part No.	Note	Name of Part	Q'ty	Assembly No.
A-48	03022SC-4517		Bobbin Winder	1	
A-49	41S006S-306H		Screw(11/64" n=40)	2	
A-50	SC-0104-5607		Bobbin Winder Action Ring	1	
A-51	41S008S-306H		Bobbin Winder Shaft Rubber Ring	1	
A-52	41S009S-306H		Bobbin Winder Lever	1	
A-53	41S010S-306H		Bobbin Winder Adjusting Plate	1	
A-54	41S011S-306H		Screw(1/8" n=40)	1	
A-55	SC-0130-1230		Washer	1	
A-56	06011SW-306H		Bobbin Winder Lever Shaft	1	
A-57	41S013S-306H		Bobbin Winder Adjusting Cam	1	
A-58	41S014S-306H		Screw(M4 x P0.7)	1	
A-59	02004SC-4113		E-Ring(φ5)	2	
A-60	04-009C-3710		Bobbin Winder Action Plate	1	
A-61	41S017S-306H		Bobbin Winder Action Body	1	
A-62	41-018A-120H		Washer	2	
A-63	40-007W-1600		Bobbin Winder Spring	1	
A-64	41S021S-306H		Bobbin Stopper	1	
A-65	41S022S-306H		Screw	5	
A-66	41S023S-306H		Bobbin Stand	1	
A-67	41S024S-306H		Bobbin Winder Mes	1	
A-68	41S025S-306H		Screw(1/8" n=40)	2	
A-69	SC-0120-1230		Thread Tension Adjusting Ass'y	1Set	
A-70	41S027S-306H		Thread Tension Adjusting Shaft	1	
A-71	41S028S-306H		Thread Guide Plate	1	
A-72	41S026S-306H		Thread Tension Disk	2	
A-73	40-108A-1306		Thread Tension Spring	1	
A-74	40-333G-123A		Thread Tension Spring Stopper	1	
A-75	40-804W-1230	M, L, K	Spring Cover	1	
A-76	40-024A-1230		Thread Tension Nut	1	
A-77	40-204A-2350		Nut(15/64" n=28)	1	
A-78	SN-0121-7400		Rubber Cap(L)	1	
A-79	01-042R-640L		Safety Plate Ass'y	1Set	
A-80	01S043S-306H		Safety Plate	1	Ass'y
A-81	01S044S-306H		Safety Plate Bracket	1	
A-82	01S045S-306H		Safety Plate Holder	1	
A-83	01S046S-306H		Safety Plate Hinge Screw	1	
A-84	01S047S-306H		Nut(3/16" n=28)	3	
A-85	SN-0101-1600		Washer	1	
A-86	06-051W-7400		Safety Plate Spring	1	
A-87	01S050S-306H		Safety Plate Spring Hook	1	
A-88	01S051S-306H		Nut(3/16" n=28)	1	
A-89	SN-0119-1230		Motor Cover	1	
A-90	01-038A-120D		Screw(11/64" n=40)	4	
A-91	SC-0498-4122		Washer	4	
A-92	40-004W-1600		Washer	2	

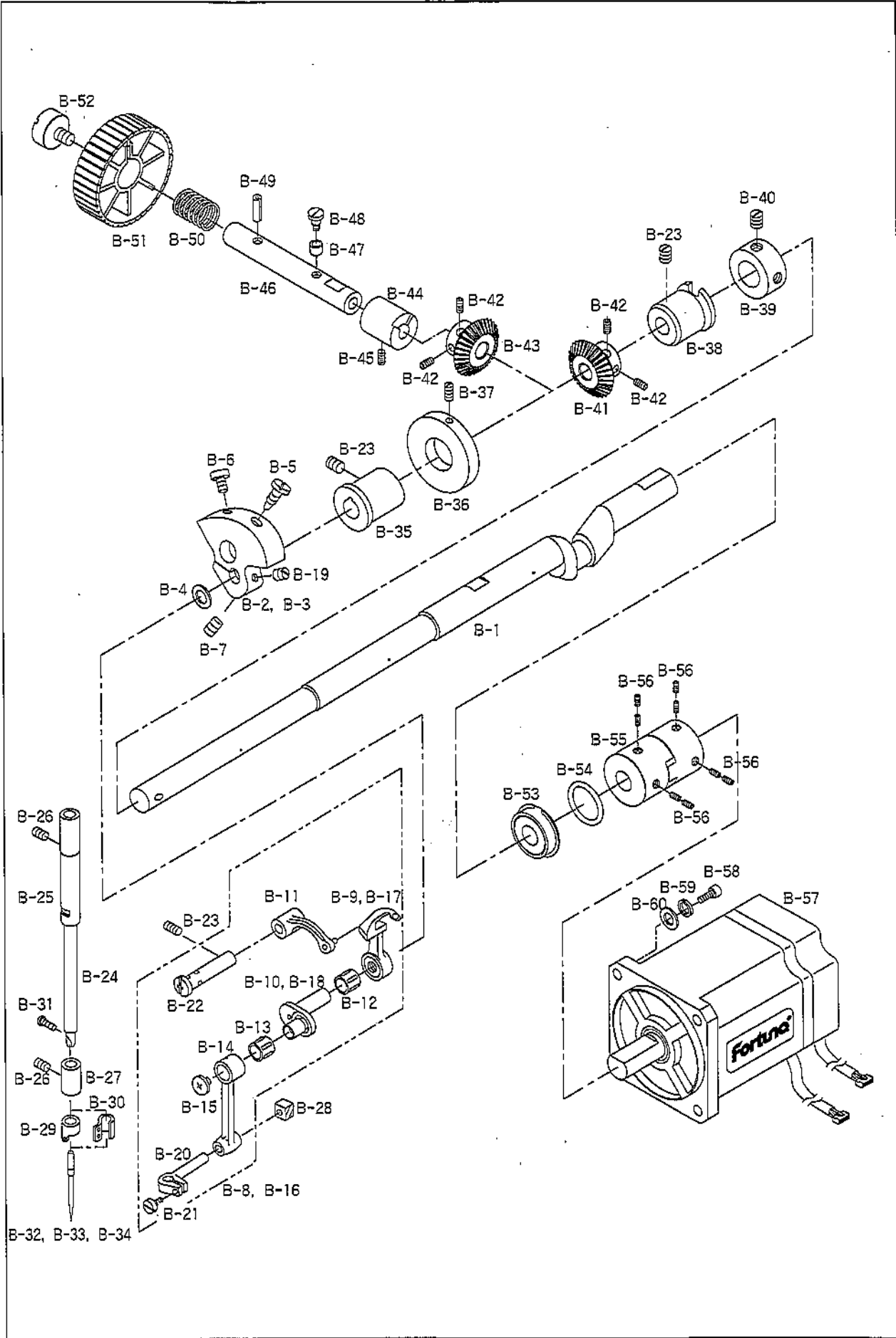
Note: H—Heavy Material
L—Light Material

M—Medium Material
K—Knit Material

HA—Pneumatic Heavy Material



Upper Shaft Mechaniam



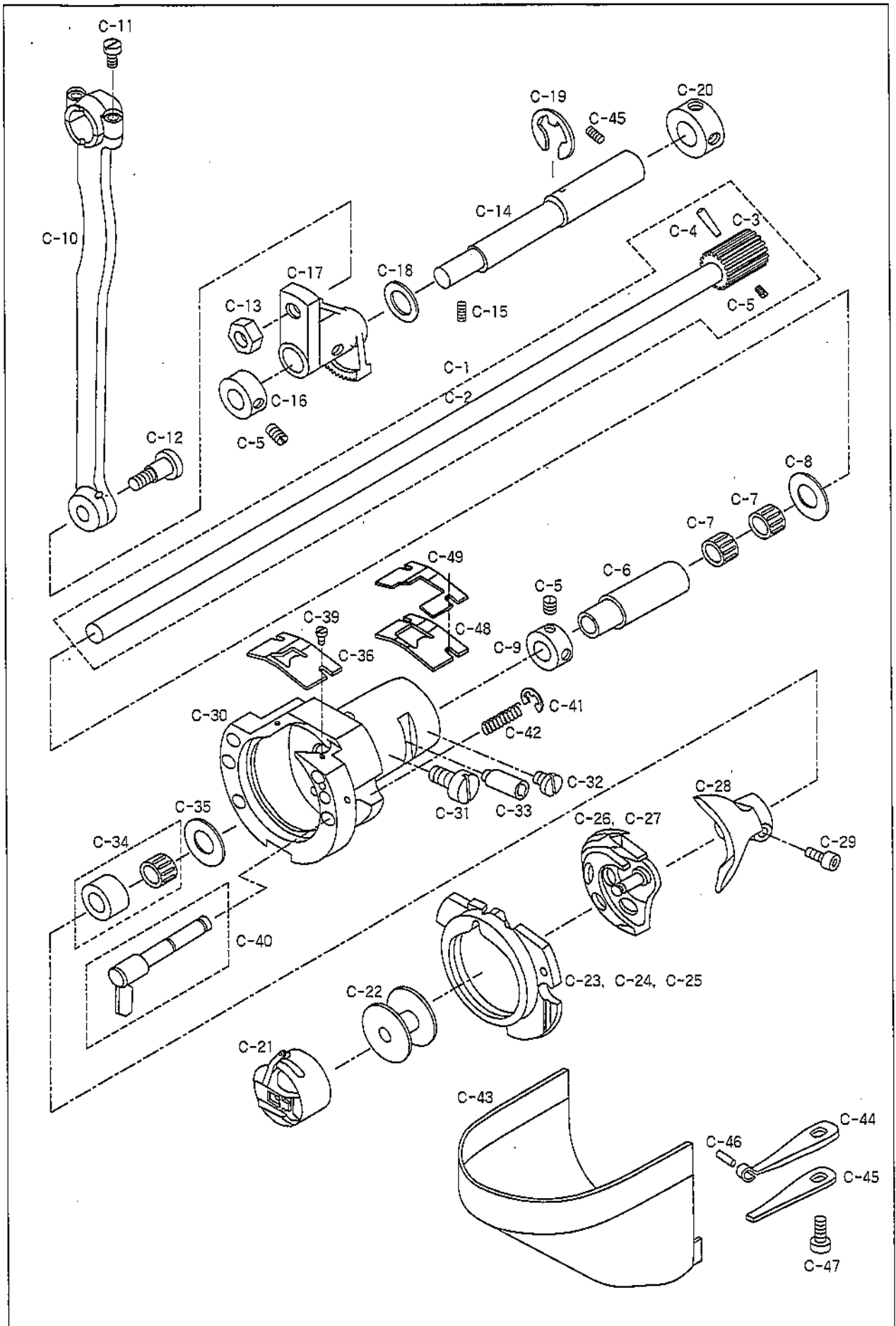
Ref. No.	Part No.	Note	Name		
B-1	02-001A-120D		Upper Shaft		1
B-2	02-102A-120H	H, M	Link Cam		1
B-3	02S102S-306H	L, K	Link Cam(A)		1
B-4	02S003S-306H		Link Cam Washer		1
B-5	SC-0183-2700		Screw(15/64" n=28)		1
B-6	02-003S-2500		Screw(9/32" n=28)		1
B-7	SC-0150-2500		Screw(15/64" n=28)		1
B-8	08S101P-306H	H, M	Thread Take-Up Lever Ass'y(H)		1Set
B-9	08S002P-306H	H, M	Thread Take-Up Lever(H)		1
B-10	08S003P-306H	H, M	Needle Bar Crank(H)		1
B-11	08S004P-306H		Thread Take-Up Lever Crank		1
B-12	08S005S-306H		Needle Bearing		1
B-13	08S006S-306H		Needle Bearing		1
B-14	08S007S-306H		Needle Bar Crank Rod		1
B-15	08S008S-306H		Screw		1
B-16	08S101S-306H	L, K	Thread Take-Up Lever Ass'y(L)		1Set
B-17	08S002S-306H	L, K	Thread Take-Up Lever(L)		1
B-18	08S003S-306H	L, K	Needle Bar Crank(L)		1
B-19	SC-0110-1230		Screw(15/64" n=28)		1
B-20	08S010S-306H		Needle Bar Holder		1
B-21	08S011S-306H		Screw		1
B-22	08S012S-306H		Thread Take-Up Crank Shaft		1
B-23	SC-0317-2700		Screw(15/64" n=28)		3
B-24	04-001A-120H		Needle Bar		1
B-25	04S102S-306H		Needle Bar Bushing(U)		1
B-26	SC-0104-5607		Screw(11/64" n=40)		2
B-27	04S204S-306H		Needle Bar Bushing(L)		1
B-28	04S106S-306H		Needle Bar Guide Block		1
B-29	04-007A-120H	H	Thread Guide for Needle Bar(H)		1
B-30	04-008A-120M	M, L, K	Thread Guide for Needle Bar(M)		1
B-31	SC-A131-4522		Screw		1
B-32		H	Needle(DP×17 #19)		1
B-33		M	Needle(DP×5 #16 (#14))		1
B-34		L, K	Needle(DP×5 #11)		1
B-35	02S107S-306H		Upper Shaft Bushing(F)		1
B-36	02S009S-306H		Bobbin Winder Driving Wheel		1
B-37	SC-0499-1230		Screw		2
B-38	02S111S-306H		Upper Shaft Bushing(M)		1
B-39	02-121A-1230		Upper Shaft Collar		1
B-40	SC-A129-4515		Screw(15/64" n=28)		2
B-41	25S001S-306H		Hand Pulley Gear "A"		1
B-42	SC-A308-4517		Screw		4
B-43	25S001S-306H		Hand Pulley Gear "A"		1
B-44	25S009S-306H		Hand Pulley Bushing		1
B-45	SC-0317-2700		Screw		1
B-46	25S105S-306H		Hand Pulley Shaft		1
B-47	25S007S-306H		Hand Pulley Roller		1
B-48	25S006S-306H		Hand Pulley Roller Hinge Pin		1
B-49	25S008S-306H		Spring Pin (φ4, L=10)		1
B-50	25S011S-306H		Hand Pulley Spring		1
B-51	02-025A-120D		Hand Pulley		1
B-52	25S012S-306H		Screw		1
B-53	02-016A-120D		Upper Shaft Bearing (R)		1
B-54	02-023R-120D		Spacer O-Ring(P15)		1
B-55	02-017A-120D		Coupling		1
B-56	08-037SC-120D		Screw		8
B-57	02-019A-120D		Main Motor		1
B-58	02-020S-120D		Screw		4
B-59	07-011W-1230		Spring Washer		4
B-60	10-020W-2700		Washer		4

Note: H—Heavy Material
L—Light Material

M—Medium Material
K—Knit Material



Lower Shaft Mechanism



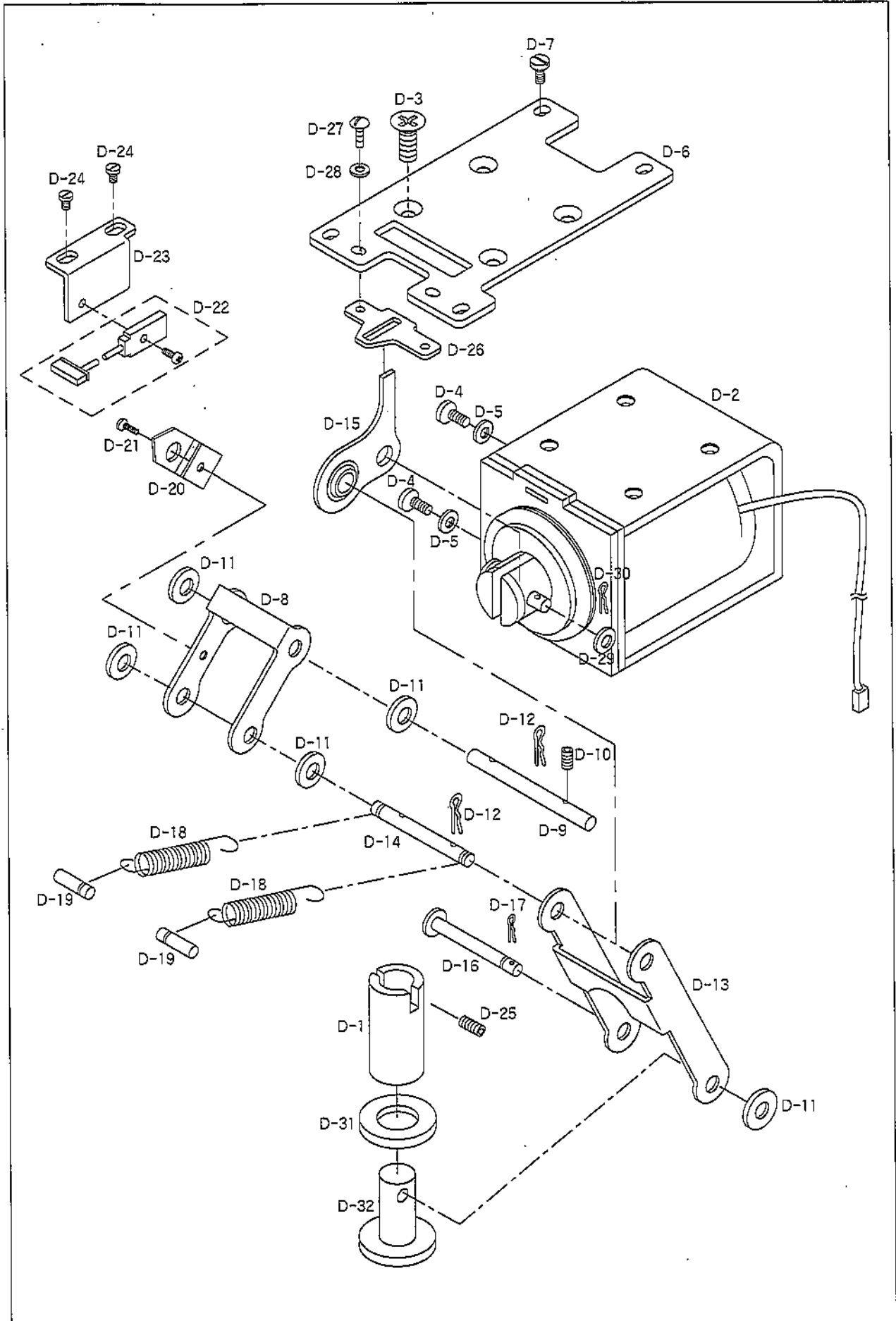
Ref. No.	Part's No.	Note	Name of Parts	Qty	Assembly No.
C-1	07-001A-120H		Lower Shaft Ass'y	1Set	
C-2	07-002A-120H		Lower Shaft	1	
C-3	07S003S-306H		Lower Shaft Gear	1	
C-4	07S004S-306H		Taper Pin	1	
C-5	SC-0512-1230		Screw(11/64" n=40)	5	
C-6	07S006S-306H		Lower Shaft Rear Bushing	1	
C-7	07S007S-306H		Needle Bearing(KT8110)	2	
C-8	07S008S-306H		Thrust Washer	1	
C-9	10S114S-306H		Lower Shaft Collar	1	
C-10	07S111S-306H		Crank Rod	1	
C-11	SC-0179-3710		Screw(11/64" n=40)	2	
C-12	07S013S-306H		Crank Rod Hinge Screw	1	
C-13	SN-0116-3400		Nut(1/4" n=40)	1	
C-14	07S115S-306H		Oscillator Shaft	1	
C-15	SC-0317-2700		Screw(15/64" n=28)	2	
C-16	07S117S-306H		Oscillator Shaft Collar(L)	1	
C-17	07S019S-306H		Oscillator	1	
C-18	07S020S-306H		Washer	1	
C-19	43-009C-1600		E-Ring	1	
C-20	07S122S-306H		Oscillator Shaft Collar(R)	1	
C-21	07-023A-120H		Bobbin Case Ass'y	1Set	
C-22	07-224A-120H		Bobbin	1	
C-23	07-021A-120H	H	Shuttle Race Ring(H)	1	
C-24	07-022A-120M	M	Shuttle Race Ring(M)	1	
C-25	07-023A-120L	L, K	Shuttle Race Ring(L)	1	
C-26	07-128A-120H	H	Shuttle(H)	1	
C-27	07-129A-120M	M, L, K	Shuttle(M)	1	
C-28	07-130A-120H		Shuttle Driver	1	
C-29	07S033S-306H		Screw(M5×P0.8)	1	
C-30	07S132S-306H		Shuttle(L)	1	
C-31	SC-0150-2500		Screw(15/64" n=28)	1	
C-32	SC-0525-5300		Screw(11/64" n=40)	1	
C-33	07S035S-306H		Shuttle Race Adjusting Shaft	1	
C-34	07S107S-306H		Needle Roller Bearing	1	
C-35	07S038S-306H		Shuttle Bearing Washer	1	
C-36	07S040S-306G	H, M	Shuttle Upper Spring	1	
C-39	SC-A121-4122		Screw(3/32" n=56)	2	
C-40	07S042S-306H		Inner Hook Presser Shaft Ass'y	2Set	
C-41	06-033M-3800		E-Ring	2	
C-42	07S046S-306H		Inner Hook Spring	2	
C-43	07S047S-306H		Hook Cover Ass'y	1Set	
C-44	07S051S-306H		Hook Cover Plate Spring A	1	
C-45	07S052S-306H		Hook Cover Plate Spring B	1	
C-46	07S050S-306H		Spring Pin(φ2×19.8)	1	
C-47	SC-0543-2302		Screw(11/64" n=40)	1	
C-48	07-042G-120L	L, K	Shuttle Upper Spring (L)	1	
C-49	07-041G-120L	L, K	Shuttle Upper Spring (U)	1	

Note: H→Heavy Material
L→Light Material

M→Medium Material
K→Knit Material



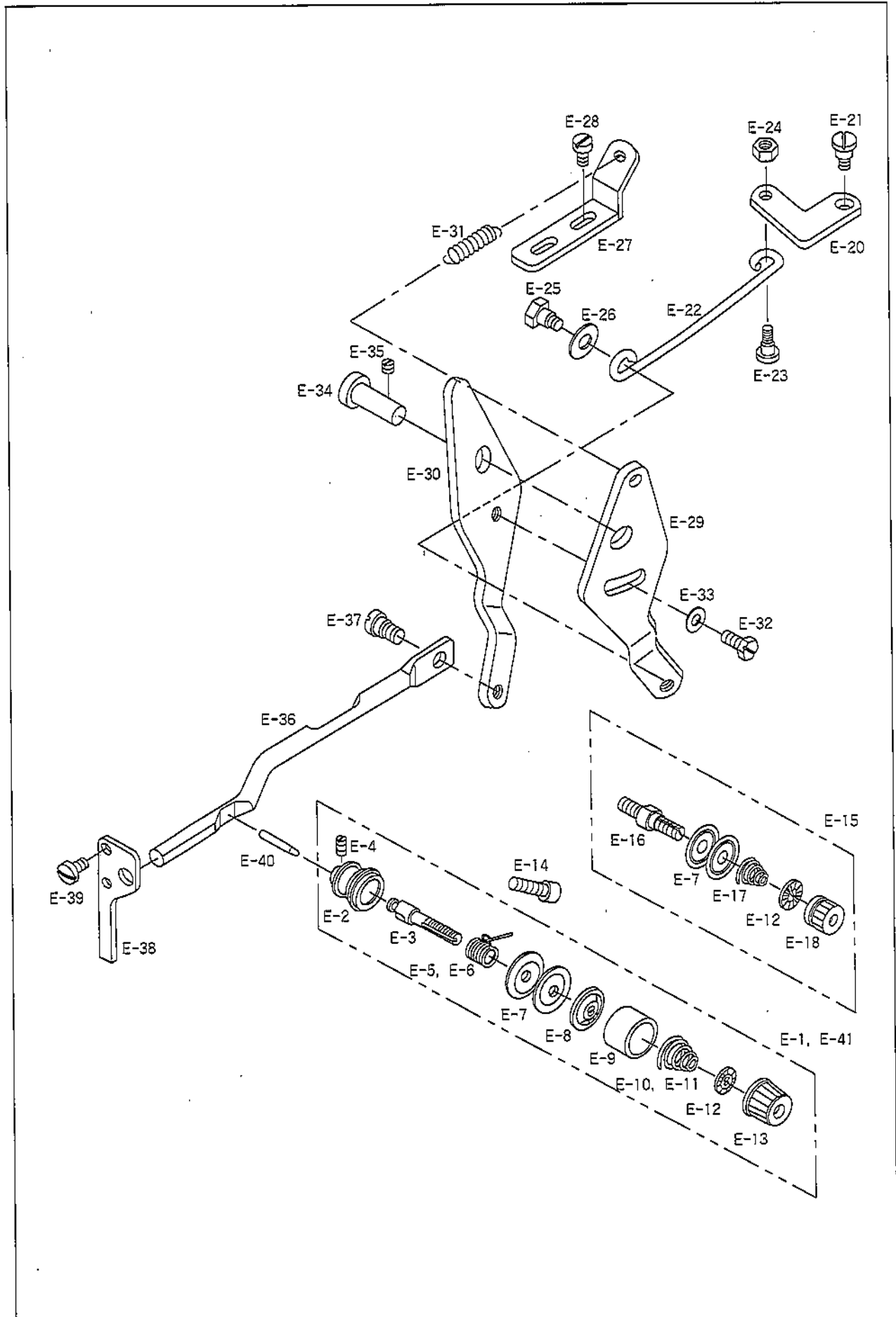
Presser Plate Mechanism



Part No.	Part No.	Notes	Name of Parts	Quantity	Assembly No.
D-1	21-101A-120H		Presser Plate Bushing	1	
D-2	01-0000-BT13		Presser Plate Solenoid Ass'y	1Set	
D-3	21-003S-120H		Screw A	4	
D-4	SC-0169-1600		Screw B	2	
D-5	01-017W-1600		Washer	2	
D-6	21-133A-120H		Presser Plate Solenoid Base	1	
D-7	SC-0307-1230		Screw(3/16" n=32)	4	
D-8	21-105A-120H		Presser Plate Link(A)	1	
D-9	21-206A-120H		Presser Plate Link Shaft(A)	1	
D-10	SC-0164-2700		Screw(11/64" n=40)	2	
D-11	09-025W-8270		Washer	5	
D-12	21-103P-120H		Snap Pin(φ8)	4	
D-13	21-110A-120H		Presser Plate Link(B)	1	
D-14	21-111A-120H		Presser Plate Link Shaft(B)	1	
D-15	21-114A-120H		Presser Plate Link(C)	1	
D-16	21-016A-120H		Presser Plate Link Shaft(C)	1	
D-17	21-101P-120H		Snap Pin(φ5)	2	
D-18	21-118G-1201H		Presser Plate Return Spring	2	
D-19	21-019F-120H		Holder for D-17	2	
D-20	21-120A-120H		Presser Plate Sensor Slit	1	
D-21	SC-0531-4125		Screw(M3)	2	
D-22	15-027A-2070		Presser Plate Sensor	1	
D-23	21-123A-120H		Base for Presser Plate	1	
D-24	SC-0176-1230		Screw(11/64" n=40)	2	
D-25	SC-0164-2700		Screw(M5)	1	
D-26	21-035A-120H		Guide for D-14	1	
D-27	SC-0174-1230		Screw	2	
D-28	10-020W-2700		Washer	2	
D-29	09-025W-8270		Washer	1	
D-30	21-103P-120H		Snap Pin(φ8)	1	
D-31	21S039S-306H		Washer	1	
D-32	21-026A-120H		Presser Plate Shaft	1	



Thread Release & Thread Tension Mechanism



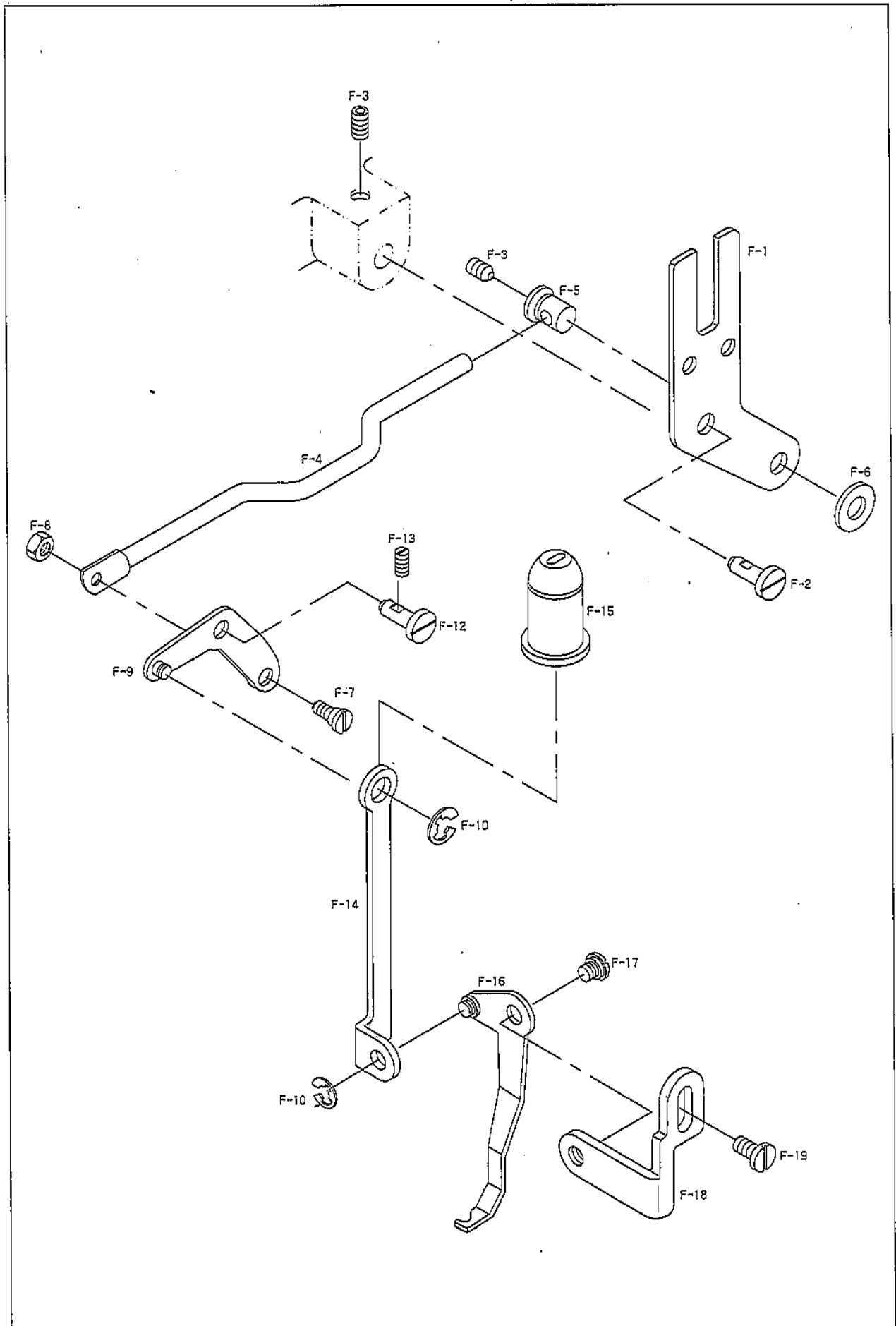
Ref. No.	Parts No.	Note	Name of Parts	Qty	Assembly No.
E-1	40S001S-306H	H	Thread Tension Adjusting Ass'y(H)	1Set	
E-2	40S002S-306H		Thread Tension Adjusting Body	1	
E-3	40S003S-306H		Thread Tension Adjusting Shaft	1	
E-4	40-604S-1230		Screw(9/64" n=40)	2	
E-5	40S005S-306H	H	Thread Take-Up Spring(H)	1	
E-6	40S006S-306G	M, L, K	Thread Take-Up Spring(M)	1	
E-7	40-204A-1230		Thread Guide Disk	4	
E-8	40-304A-1230		Presser Plate for E-7	1	
E-9	40S009S-306H		Spring Cover	1	
E-10	40S010S-306H	H	Thread Tension Adjusting Spring(H)	1	
E-11	40-333G-123A	M, L, K	Thread Tension Adjusting Spring(M)	1	
E-12	40-804W-1230		Spring Stopper	2	
E-13	40-204A-2350		Thread Adjusting Nut	1	
E-14	10S006S-306H		Screw(M6)	1	
E-15	40S016S-306H		Second Thread Tension Adjusting Ass'y	1Set	
E-16	40S017S-306H		Second Thread Tension Adjusting Shaft	1	
E-17	40S019S-306H		Second Thread Tension Adjusting Spring	1	
E-18	40-704S-1230		Second Thread Adjusting Nut	1	
E-20	40S023S-306H		Thread Release Link	1	
E-21	40S024S-306H		Thread Release Link Hinge Screw	1	
E-22	40-025A-120H		Thread Release Connecting Rod	1	
E-23	40S026S-306H		Hinge Screw A for E-22	1	
E-24	SN-0115-7400		Nut(3/16" n=28)	1	
E-25	40S028S-306H		Hinge Screw B for E-22	1	
E-26	06-046W-7400		Washer	1	
E-27	40-030C-120H		Thread Release Stopper	1	
E-28	55-011S-5050		Screw(3/16" n=28)	2	
E-29	40-032C-120H		Thread Release Adjusting Plate(A)	1	
E-30	40-033C-120H		Thread Release Adjusting Plate(B)	1	
E-31	40S033S-306H		Thread Release Return Spring	1	
E-32	01S104S-306H		Screw(11/64" n=28)	1	
E-33	01S110S-306H		Washer	1	
E-34	40-037C-120H		Thread Release Shaft	1	
E-35	SC-0352-7400		Screw(3/16" n=28)	1	
E-36	40-039C-120H		Thread Release Bar	1	
E-37	16-015S-3710		Hinge Screw for E-36	1	
E-38	40S044S-306H		Thread Release Bar Guide	1	
E-39	SC-0528-1230		Screw(9/64" n=40)	2	
E-40	40S014S-306H		Thread Release Pin	1	
E-41	40S001S-306G	M, L, K	Thread Tension Adjusting Ass'y(M)	1Set	

Note: H—Heavy Material
L—Light Material

M—Medium Material
K—Knit Material

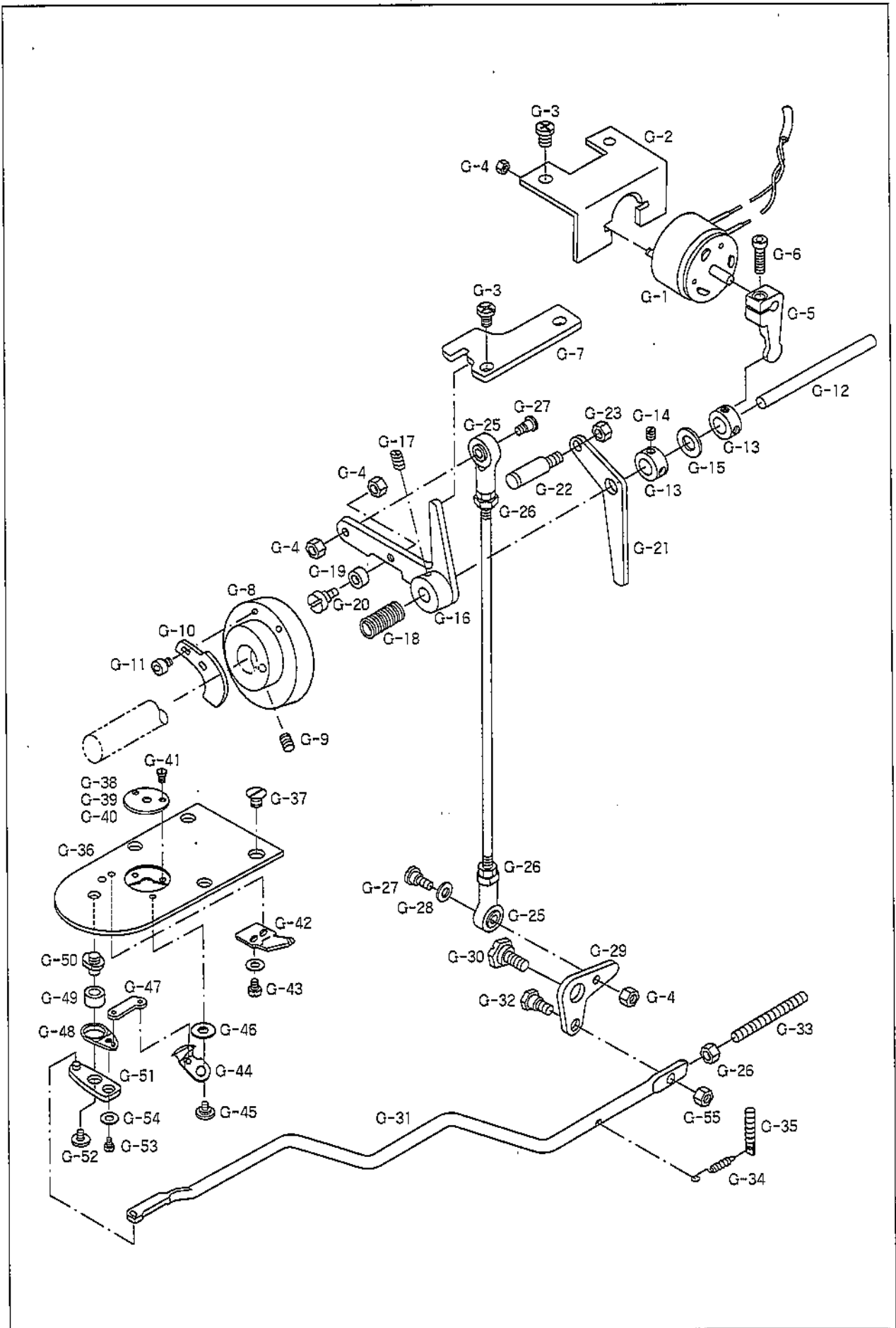


Wiper Mechanism





Thread Trimmer Mechanism



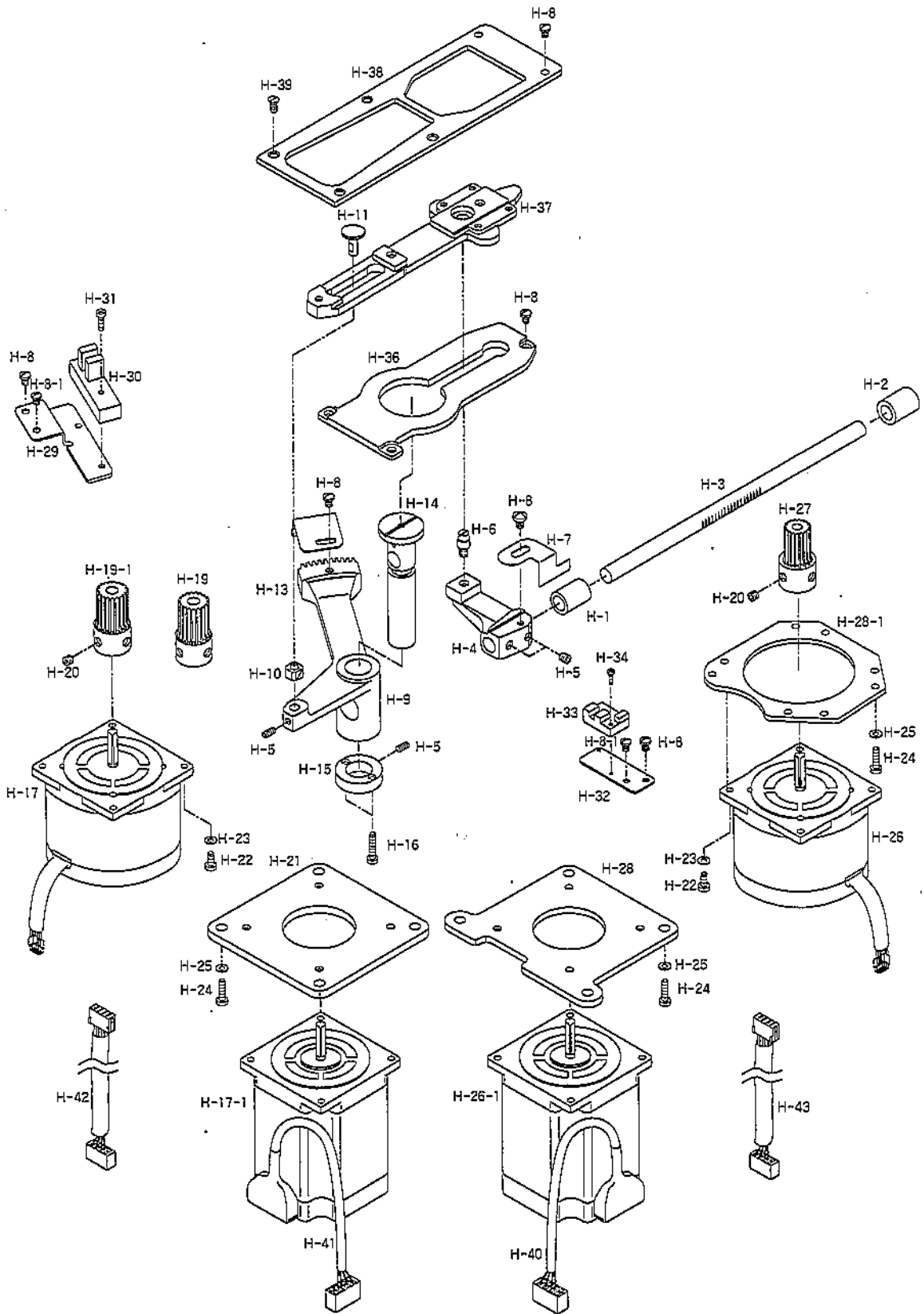
Part No.	Parts No.	Note	Name of Parts	Qty	Assembly No.
G-1	10S001S-306H		Thread Trimming Sol. Ass'y	1Set	
G-2	10S002S-306H		Thread Trimming Sol. Bracket	1	
G-3	SC-0202-5050		Screw(3/16" n=28)	4	
G-4	SN-0101-1600		Nut(11/64" n=40)	5	
G-5	10S005S-306H		Link for G-1	1	
G-6	SC-0328-8670		Screw(M4×P0.7)	1	
G-7	10S007S-306H		Thread Trimming Driving Link Stopper	1	
G-8	10S009S-306H		Thread Trimming Cam	1	
G-9	SC-A129-4515		Screw(1/4" n=40)	2	
G-10	10S011S-306H		Thread Release Notch	1	
G-11	02014SC-4113		Screw(M4×P0.7)	2	
G-12	10S113S-306H		Thread Trimming Shaft	1	
G-13	10S114S-306H		Thread Trimming Shaft Collar	2	
G-14	SC-0512-1230		Screw(15/64" n=28)	2	
G-15	10S017S-306H		Rubber Washer for G-12	1	
G-16	10S018S-306H		Thread Trimming Driving Link Ass'y	1Set	
G-17	SC-0317-2700		Screw(15/64" n=28)	1	
G-18	10S022S-306H		Thread Trimming Shaft Spring	1	
G-19	10S023S-306H		Thread Trimming Cam Roller	1	
G-20	10S024S-306H		Hinge Screw for G-19	1	
G-21	10S026S-306H		Thread Release Lever	1	
G-22	10S027S-306H		Thread Release Lever Pin	1	
G-23	SN-0105-3400		Nut(15/64" n=28)	1	
G-24	10-029A-120H		Thread Trimming Connecting Rod	1	
G-25	10-220A-8577		Rod End(R)	2	
G-26	08069SN-9311		Nut(M5)	3	
G-27	10S032S-306H		Hinge Screw for G-24	2	
G-28	10-010W-7507		Washer	1	
G-29	10S135S-306H		Thread Trimming Connecting Link	1	
G-30	10S036S-306H		Hinge Screw for G-29	1	
G-31	10-037A-120H		Thread Trimming Connecting Bar	1	
G-32	10S038S-306H		Hinge Screw for G-31	1	
G-33	10S062S-306H		Link Stopper Screw	1	
G-34	10S064S-306H		Return Spring for G-31	1	
G-35	10-019S-7507		Spring Holder	1	
G-36	10-140A-120H		Needle Plate	1	
G-37	SC-A119-4119		Screw(11/64" n=40)	4	
G-38	10-141A-120H	H	Needle Plate Cover(H)	1	
G-39	10-142A-120M	M	Needle Plate Cover(M)	1	
G-40	10-143A-120K	L, K	Needle Plate Cover(L, K)	1	
G-41	04107SC-A001		Screw	2	
G-42	10-101A-120H		Fixed Mes	1	
G-43	10S046S-306H		Screw(9/64" n=40)	2	
G-44	10-106A-120H		Moving Mes	1	
G-45	10-048A-120H		Hinge Screw for G-44	1	
G-46	10S049S-306H		Washer(t=0.4)	1	
	10S050S-306H		Washer(t=0.5)		
	10-051W-120H		Washer(t=0.6)		
	10-052W-120H		Washer(t=0.7)		
G-47	10S053S-306H		Moving Mes Link	1	
G-48	10S055S-306G		Thread Trimming Lever "B"	1	
G-49	10S056S-306H		Thread Trimming Lever Ring	1	
G-50	10S057S-306H		Thread Trimming Lever Shaft	1	
G-51	10S058S-306H		Thread Trimming Lever "A"	1	
G-52	10S059S-306H		Thread Trimming Lever Screw	1	
G-53	SC-0543-2302		Screw(11/64" n=40)	1	
G-54	20S075S-306H		Washer	1	
G-55	SN-0119-1230		Nut(3/16" n=28)	1	

Note: H—Heavy Material
L—Light Material

M—Medium Material
K—Knit Material



X-Y Mechanism



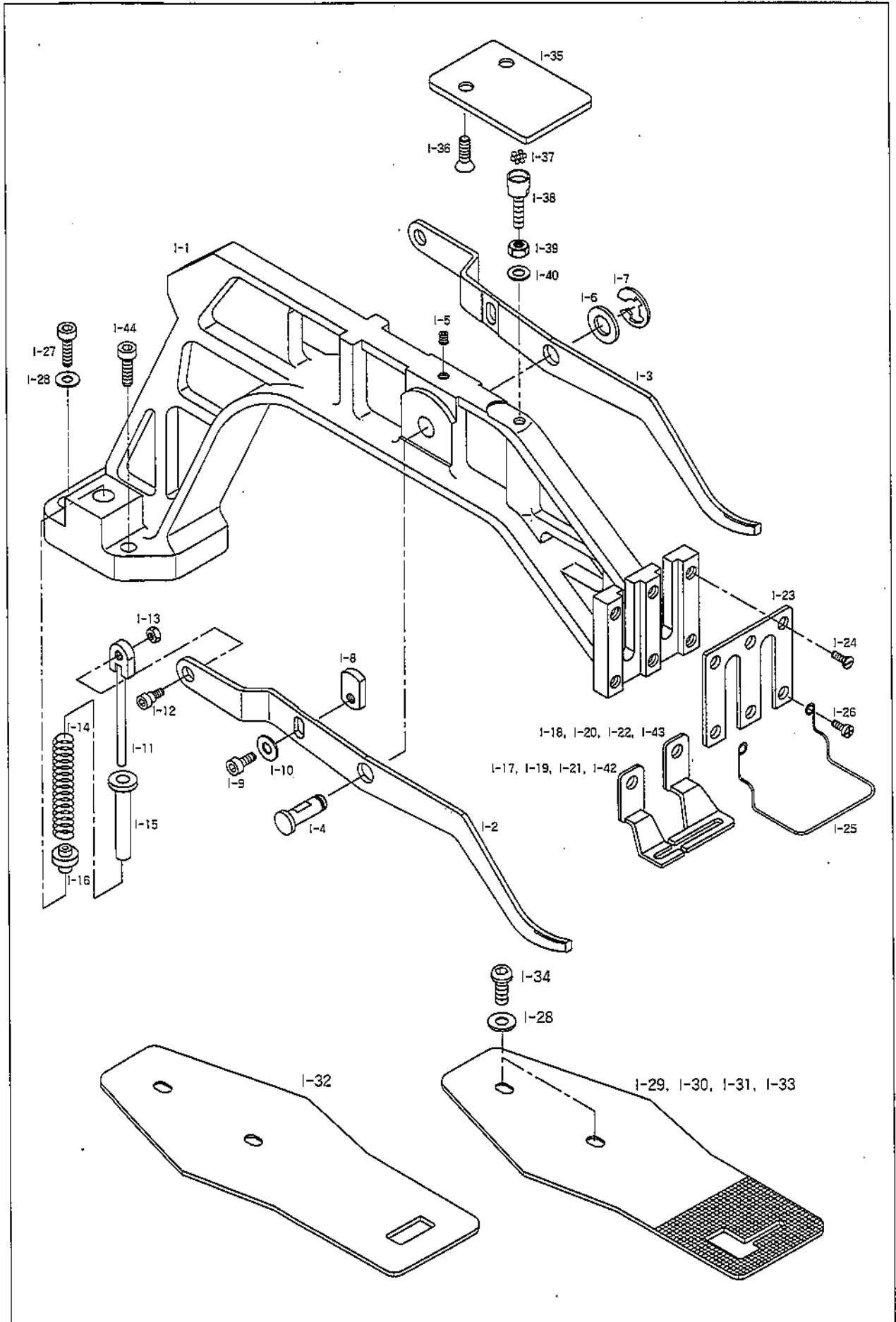
Part No.	Part No.	Note	Name of Parts	Qty	Assembly
H-1	20-001A-120H		Y-Feed Bushing(F)	1	
H-2	20-002A-120H		Y-Feed Bushing(R)	1	
H-3	20-003A-120H		Y-Feed Shaft	1	
H-4	20-004A-120H		Y-Feed Arm	1	
H-5	SC-A308-4517		Screw(1/4" n=40)	4	
H-6	20-006A-120H		Y-Feed Hinge Stud Screw	1	
H-7	20-007A-120H		Y-Sensor Film	1	
H-8	SC-0543-2302		Screw(11/64" n=40)	8	
H-8-1	SC-0173-1230		Screw(3/16" n=32)	4	
H-9	20-009A-120H		X-Feed Lever Gear	1	
H-10	04S106S-306H		X-Feed Block	1	
H-11	20-011A-120H		X-Feed Block Shaft	1	
H-13	20-013A-120H		X-Sensor Film	1	
H-14	20-015A-120H		X-Feed Lever Gear Shaft	1	
H-15	20-016A-120H		X-Feed Lever Gear Shaft Collar	1	
H-16	SC-0533-3400		Screw(11/64" n=40)	2	
H-17	20-051A-12HA	H, M	X-Driving Motor Ass'y	1Set	
H-17-1	20-119A-120H	L, K	X-Step Motor A'ssy	1Set	
H-19	20-021A-120H	L, K	X-Drive Gear	1	
H-19-1	20-052A-12HA	H, M	X-Drive Gear	1	
H-20	SC-0317-2700		Screw(15/64" n=28)	4	
H-21	20-023A-120H	K, L	X-Motor Mounting Plate	1	
H-22	08076SC-4113		Screw(M4, L=12)	8	
H-23	01-020W-2700		Washer	8	
H-24	SC-0296-3900		Screw(11/64" n=40)	8	
H-25	10-020W-2700		Washer	8	
H-26	20-053A-12HA	H, M	Y-Driving Motor Ass'y	1Set	
H-26-1	20-119A-120H	L, K	Y-Step Motor Ass'y	1Set	
H-27	20-030A-120H		Y-Drive Gear	1	
H-28	20-032A-120H	L, K	Y-Motor Mounting Plate	1	
H-28-1	20-054A-12HA	H, M	Y-Driven Motor Mounting Plate	1	
H-29	20-037A-120H		X-Sensor Base	1	
H-30	20S029S-306H		X-Sensor	1	
H-31	22031SC-8118		Screw(M4, L=10)	1	
H-32	20-041A-120H		Y-Sensor Base	1	
H-33	20S076S-306H		Y-Sensor	1	
H-34	02S030S-306H		Screw(M3, L=9)	1	
H-36	20-046A-120H		Cloth Feed Support Plate	1	
H-37	20-048A-120H		Cloth Feed Plate	1	
H-38	20-149A-120H		Feed Guide Plate	1	
H-39	SC-A119-4119		Screw(11/64" n=40)	4	
H-40	02-029A-120H	L, K	Y-Step Motor Cable	1	
H-41	02-028A-120H	L, K	X-Step Motor Cable	1	
H-42	22-151A-12HA	H, M	X-Step Motor Cable	1	
H-43	22-152A-12HA	H, M	Y-Step Motor Cable	1	

Note: H→Heavy Material
L→Light Material

M→Medium Material
K→Knit Material



Feed Mechanism



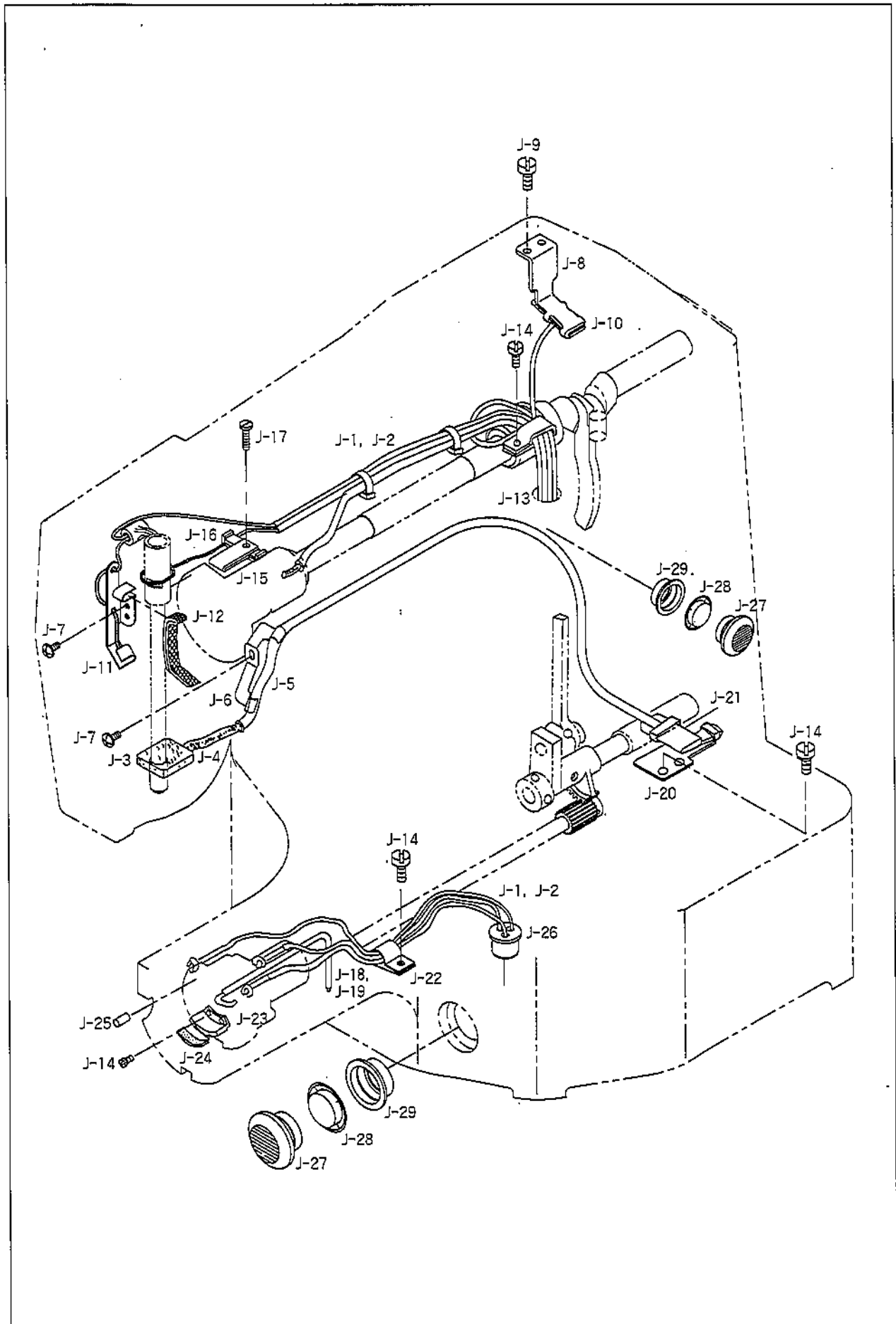
Part No.	Part No.	Code	Name of Part	QTY	Assembly No.
I-1	22-001A-120H		Feed Bracket	1	
I-2	22-002A-120H		Lifting Lever(L)	1	
I-3	22-003A-120H		Lifting Lever(R)	1	
I-4	22-004A-120H		Lifting Lever Shaft	1	
I-5	SC-0317-2700		Screw(15/64" n=28)	1	
I-6	06-046W-7400		Washer	1	
I-7	04-009C-3710		E-Ring	1	
I-8	22-008A-120H		Adjusting Plate	2	
I-9	01S106S-306H		Screw	2	
I-10	10-020W-2700		Washer	2	
I-11	22-011A-120H		Spring Guide Rod	2Set	
I-12	SC-0388-4127		Hinge Screw for I-11	2	
I-13	SN-0111-1600		Nut(3/16" n=28)	2	
I-14	22-016G-120H	H	Spring for Lifting Lever(H)	2	
I-15	22-017C-120H		Spring Collar A	2	
I-16	22-018C-120H		Spring Collar B	2	
I-17	22-019A-120H	H	Work Clamp Foot-L(H)	1	
I-18	22-020A-120H	H	Work Clamp Foot-R(H)	1	
I-19	22-021A-120M	M	Work Clamp Foot-L(M)	1	
I-20	22-022A-120M	M	Work Clamp Foot-R(M)	1	
I-21	22-023A-120L	L	Work Clamp Foot-L(L)	1	
I-22	22-024A-120L	L	Work Clamp Foot-R(L)	1	
I-23	22-023A-120H		Guide Cover for Work Clamp Foot	1	
I-24	SC-0310-8130		Screw(9/64" n=40)	4	
I-25	22-125A-120H		Finger Guard	1	
I-26	SC-0157-1230		Screw(9/64" n=40)	2	
I-27	SC-0108-2350		Bolt(M6 x 120)	2	
I-28	22S025S-306H		Washer	4	
I-29	22-129A-120H	H	Feed Plate(H)	1	
I-30	22-030A-120M	M	Feed Plate(M)	1	
I-31	22-033A-120L	L	Feed Plate(L)-A	1	
I-32	22-034A-120L	L	Feed Plate(L)-B	1	
I-33	22-035A-120K	K	Feed Plate(K)	1	
I-34	22-031A-120H		Screw(M6 x 10)	2	
I-35	22-038A-120H		Ball Support Plate	1	
I-36	22-039S-120H		Screw(M6)	2	
I-37	06-034A-3900		Ball	7	
I-38	22-040A-120H		Ball Base	1	
I-39	SN-0116-8270		Nut(1/4" n=40)	1	
I-40	SW-0121-1011		Washer	1	
I-41	22-016G-120M	M, L, K	Spring for Lifting Lever(M)	2	
I-42	22-023A-120K	K	Work Clamp Foot -L(K)	1	
I-43	22-024A-120K	K	Work Clamp Foot -R(K)	1	
I-44	SC-0328-8670		Bolt(M4)	2	

Note: H→Heavy Material
L→Light Material

M→Medium Material
K→Knit Material



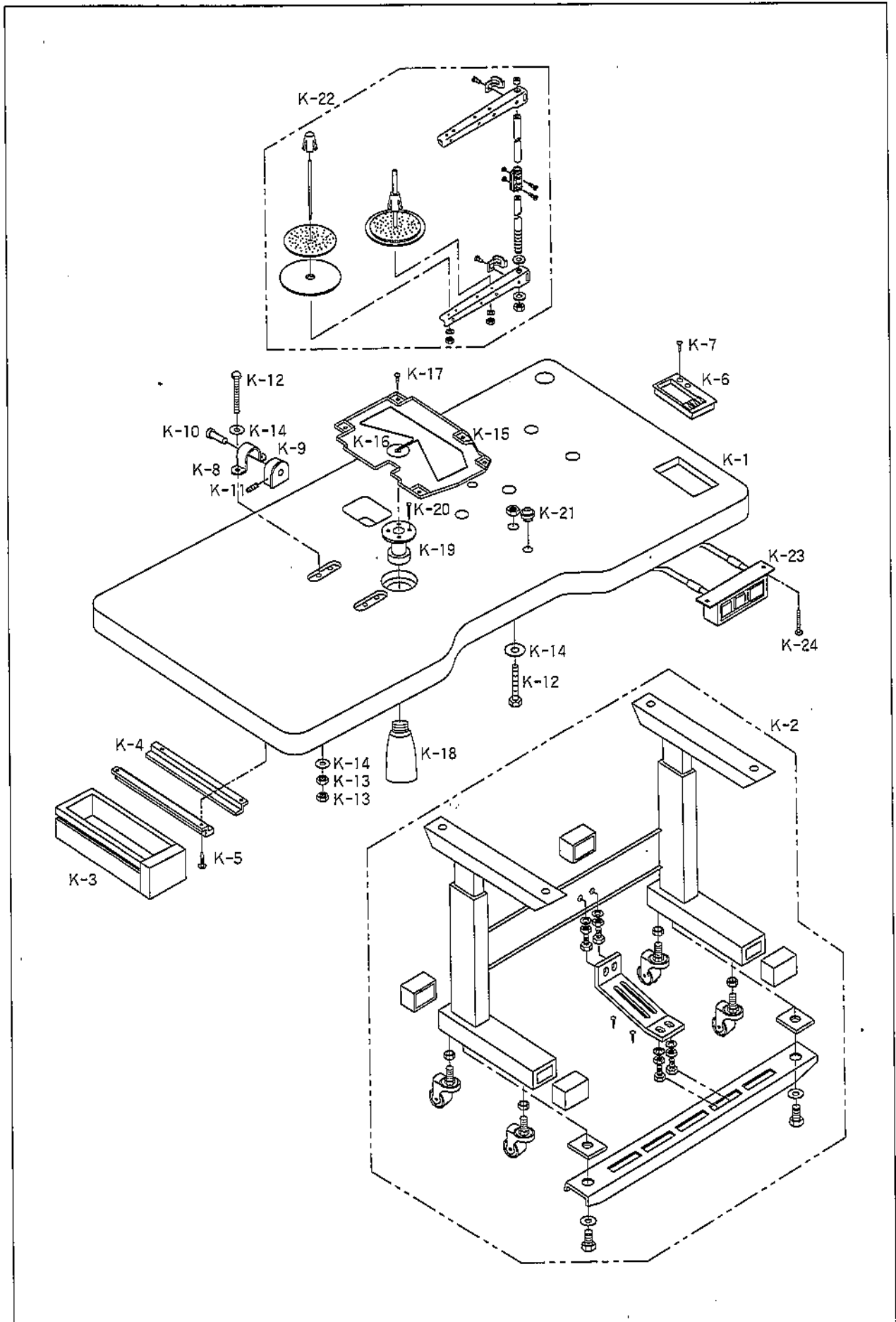
Lubrication Mechanism



Part No.	Part No.	Name	Quantity	Assembly
J-1	44-0000-1230	Oil Wick		
J-2	44-012C-1230	Oil Hose		
J-3	44S007S-306H	Oil Return Felt A	1	
J-4	44S008S-306H	Arm Oil Return Felt	1	
J-5	44S002S-306H	Oil Hose for J-4	1	
J-6	44-008C-120H	Holder for J-5	1	
J-7	SC-A156-4118	Screw(9/64" n=40)	2	
J-8	44S024S-306H	Crank Rod Lubrication Plate	1	
J-9	SC-0548-7400	Screw(3/16" n=28)	2	
J-10	44S027S-306H	Crank Rod Lubrication Felt	1	
J-11	44-017C-120H	Needle Bar Crank Rod Lubrication Plate	1	
J-12	44-019M-120H	Needle Bar Crank Rod Lubrication Felt	1	
J-13	44S032S-306H	Oil Hose Holder(L)	1	
J-14	SC-0543-4525	Screw(11/64" n=40)	6	
J-15	44S034S-306H	Balance Lubrication Plate	1	
J-16	44S035S-306H	Balance Lubrication Felt	1	
J-17	SC-0340-3710	Screw(9/64" n=40)	1	
J-18	44S039S-306H	Bed Oil Return Felt	1	
J-19	44S001S-306H	Oil Hose for J-18	1	
J-20	44S041S-306H	Oscillator Lubrication Plate	1	
J-21	44S042S-306H	Oscillator Lubrication Felt	1	
J-22	01-011C-2350	Cable Holder	1	
J-23	44S044S-306H	Shuttle Lubrication Plate	1	
J-24	44S046S-306H	Shuttle Lubrication Felt(L)	1	
J-25	44-028M-8670	Shuttle Lubrication Felt(S)	2	
J-26	44-034R-120H	Bed Oil Wick Rubber Cap	1	
J-27	44S052S-306H	Oil Window	2	
J-28	44S053S-306H	Oil Gauge	2	
J-29	44S054S-306H	Oil Window Rubber Ring	2	



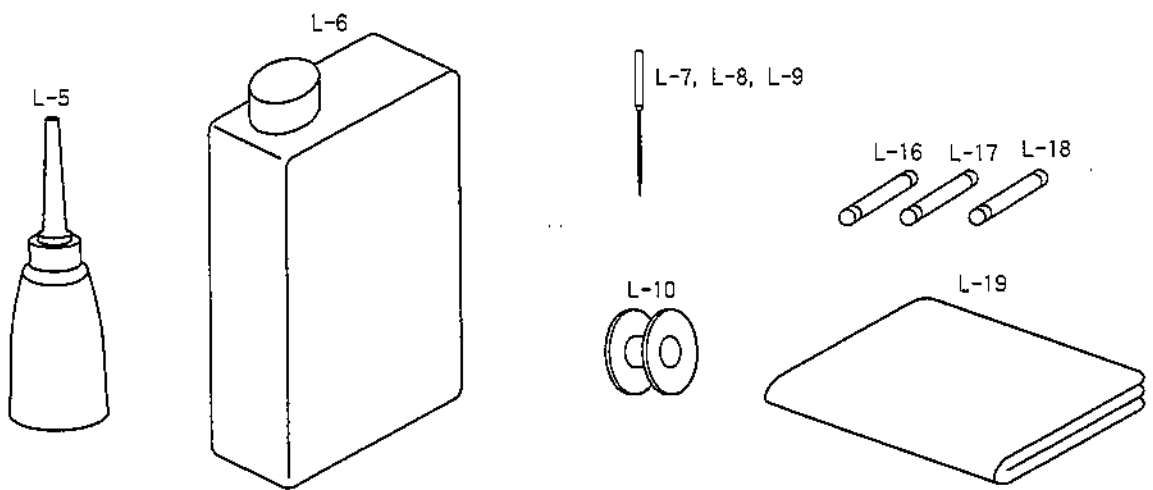
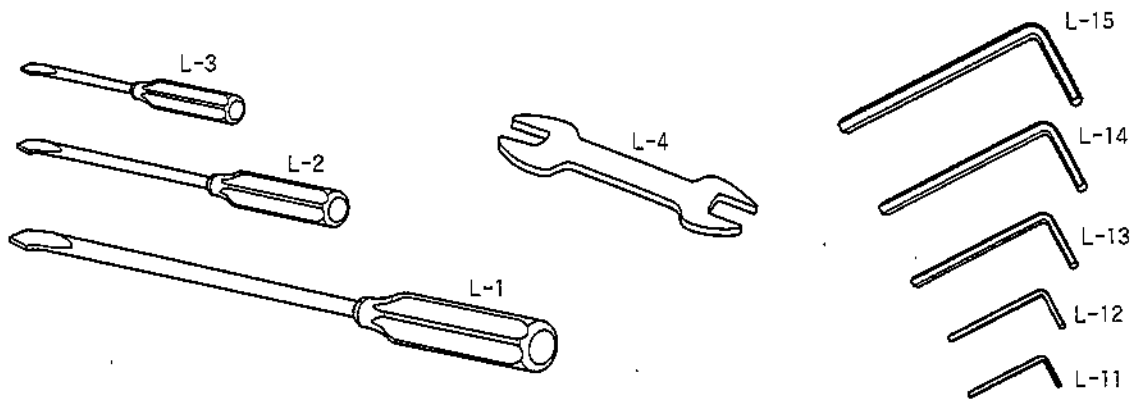
Table & Thread Stand



Part No.	Parts No.	Note	Name of Parts	Qty	Assembly No.
K-1			Table Ass'y	1Set	
K-2	TZ-001-1000		Table Stand Ass'y	1Set	
K-3			Table Drawer	1	
K-4			Support Bracket for K-3	2	
K-5			Screw Nail	4	
K-6	90A008S-811H		Accessory Case	1	
K-7			Screw	2	
K-8	01S122S-306H		Hinge	2	
K-9	01S123S-306H		Hinge Rubber	2	
K-10	01S124S-306H		Hinge Pin	2	
K-11	SC-0104-4517		Screw(M5×P0.8)	2	
K-12	01S126S-306H		Bolt(M6×160)	5	
K-13	01S127S-306H		Nut(M6)	8	
K-14	01S128S-306H		Washer	9	
K-15	90-006-120H		Oil Pan	1	
K-16	44-0000-1230		Oil Wick	1	
K-17			Screw Nail	5	
K-18	91-002C-7400		Oiler	1	
K-19	90S008S-806H		Oil Supporter	1	
K-20			Nail	4	
K-21	90S010S-306H		Cushion Rubber	2	
K-22	91-007A-2302		Thread Stand Ass'y	1Set	
K-23	91-005A-SH51		Power Switch	1	
K-24			Screw Power Switch	2	



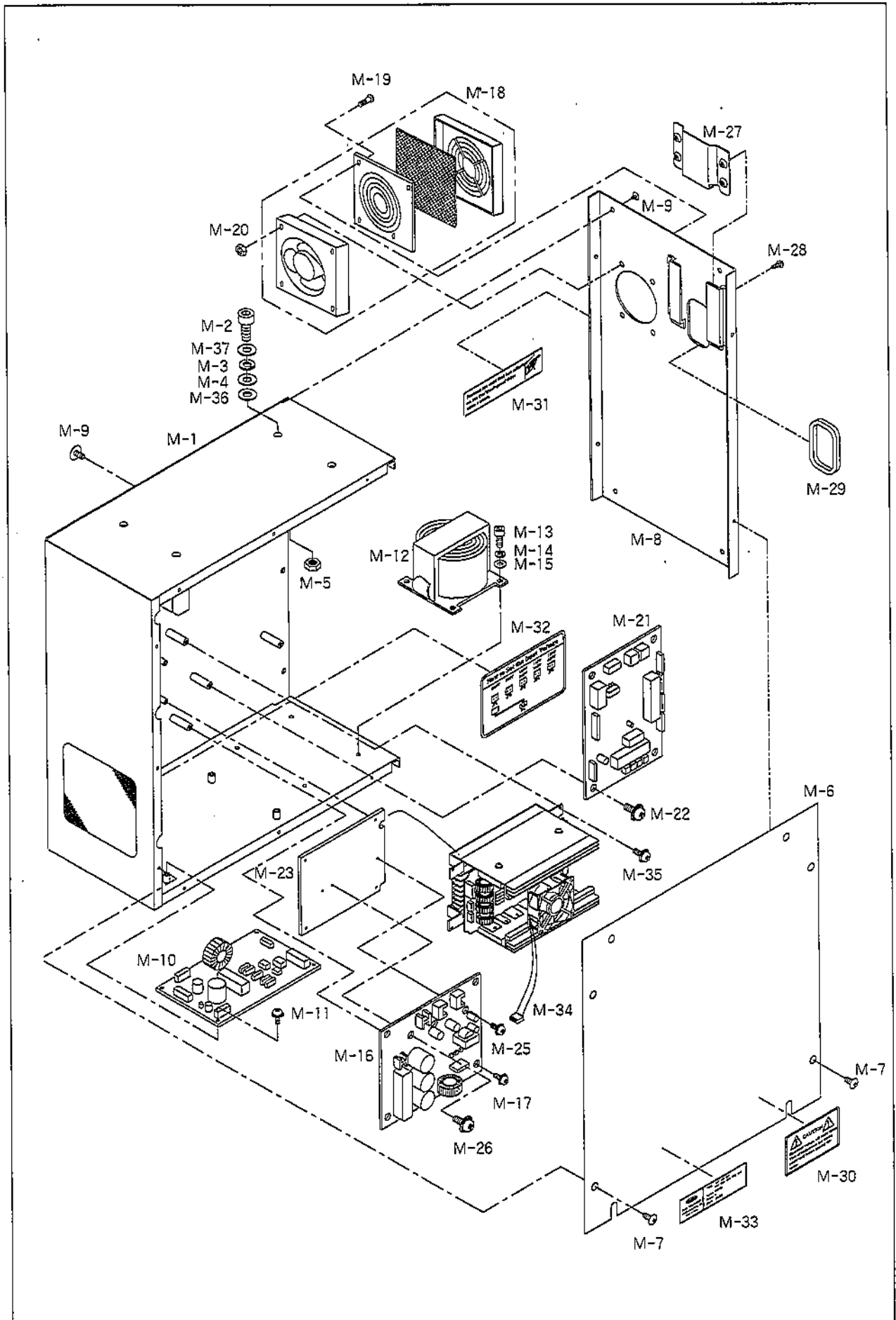
Accessories



Ref. No.	Part No.	Note	Name of Part	Qty	Ass'y No.
L-1	91-002C-1230		Driver(L)	1	
L-2	91-003C-1230		Driver(M)	1	Ass'y
L-3	91-003C-1230		Driver(S)	1	
L-4	91S004S-306H		Spaner(9×10)	1	
L-5	91-011C-1230		Oiler	1	
L-6	91-108C-1230		Oil	1	
L-7		H	Needle(DP×17 #19)	1	
L-8		M	Needle(DP×5 #16)	1	
L-9		L,K	Needle(DP×5 #11)	1	
L-10	07-224A-120H		Bobbin	2	
L-11	91-001C-2700		L-Shaped Wrench	1	
L-12	91-004C-2700		L-Shaped Wrench	1	
L-13	91-003C-2700		L-Shaped Wrench	1	
L-14	91-001C-3800		L-Shaped Wrench	1	
L-15	91-002C-2700		L-Shaped Wrench	1	
L-16	12-0146-SC53		Fuse(1A, 30mm)	1	
L-17	05-002C-SW65		Fuse(10A, 30mm)	1	
L-18	12-046C-SC53		Fuse(15A, 30mm)	1	
L-19	91-001C-120H		Head Cover	1	



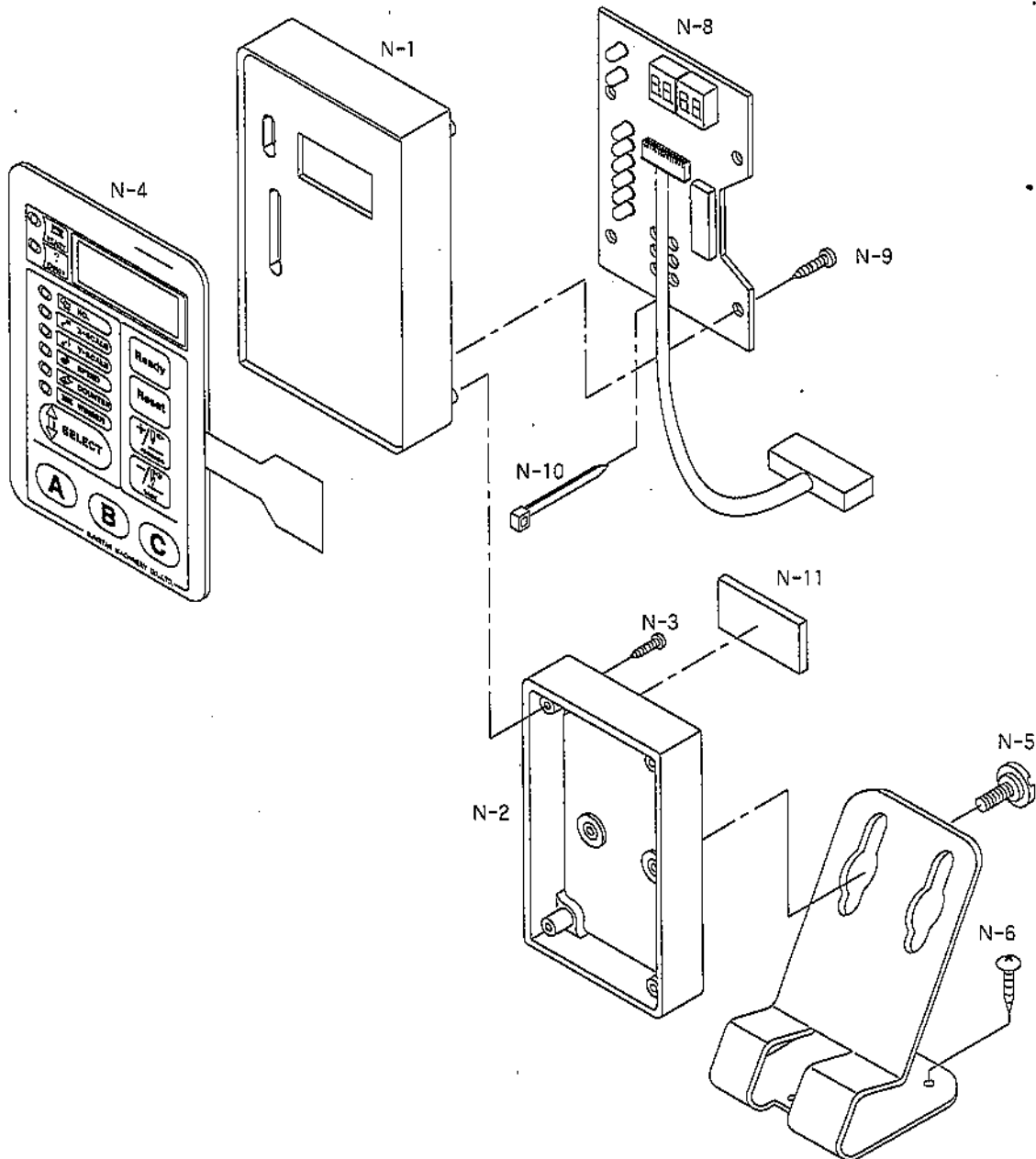
Control Box Mechanism



Part No.	Part No.	Qty	Name of Parts	Q. No.	ASSEMBLY
M-1	01-001A-2070		Control Box	1	
M-2	10-001M-PT01		Screw Control Box(M6×P1 L=45, SUS)	6	
M-3	10-003S-SW66		Spring Washer Control Box	6	
M-4	10-004S-SW66		Flat Washer Control Box	6	
M-5	10-003S-PT01		Nut Control Box	6	
M-6	01-002A-2070		Control Box Cover	1	
M-7	10-014M-AT10		Screw Control Box Cover(M4×P0.7 L=6)	12	
M-8	01-003A-2070		Control Box Side Cover	1	
M-9	10-014M-AT10		Screw Control Box Side Cover(M4×P0.7 L=6)	7	
M-10	02-0000-BP02		POWER P.C.B	1	
M-11	10-021M-SW66		Screw POWER P.C.B(M3×P0.5 L=8)	4	
M-12	01-104A-BT01		Transformer	1	
M-13	10-028M-SW66		Screw Transformer(M5×P0.8 L=10)	4	
M-14	10-028M-SW66		Spring Washer Transformer	4	
M-15	10-005S-SW66		Flat Washer Transformer	4	
M-16	14-0000-BR00		Main Motor Drive Board	1	
M-17	10-021M-SW66		Screw(11/64" n=40)	4	
M-18	01-005M-BT01		Fan	1	
M-19	01-002M-AU11		Screw Fan(M4×P0.7 L=30)	4	
M-20	09-035S-3701		Nut Fan(M4)	4	
M-21	12-0000-BD00		Digital Board	1	
M-22	10-001M-BP01		Screw Digital Board(M3×P0.5 L=8)	4	
M-23	01-005A-2070		Main Radiator	1	
M-24	10-018M-SW66		Screw Main Radiator(M4×P0.7 L=10)	4	
M-25	15-022S-1000		Screw IPM(M4×P0.7 L=20)	2	
M-26	01-002M-AU12		Screw Bridge Diode(M4×P0.7 L=20)	1	
M-27	01-007A-BT01		Connector Cover	1	
M-28	10-022M-SW66		Screw Connector Cover(M4×P0.7 L=8)	2	
M-29	11-001S-PT10		Ending Bushing	1	
M-30	01-003S-BT01		Sticker Caution	1	
M-31	01-004S-BT01		Sticker Replacing Filter	1	
M-32	01-005S-BT01		Sticker Changing the Input Voltage	1	
M-33	12-149C-SC53		Sticker Model	1	
M-34	05-0000-XY01		Step Motor Drive Board	1	
M-35	10-001M-BT01		Screw Step Motor Drive Board(M3×P0.5 L=8)	4	
M-36	91-001C-BT10		Urethan Washer	6	
M-37	91-001C-PT10		Table Washer	6	

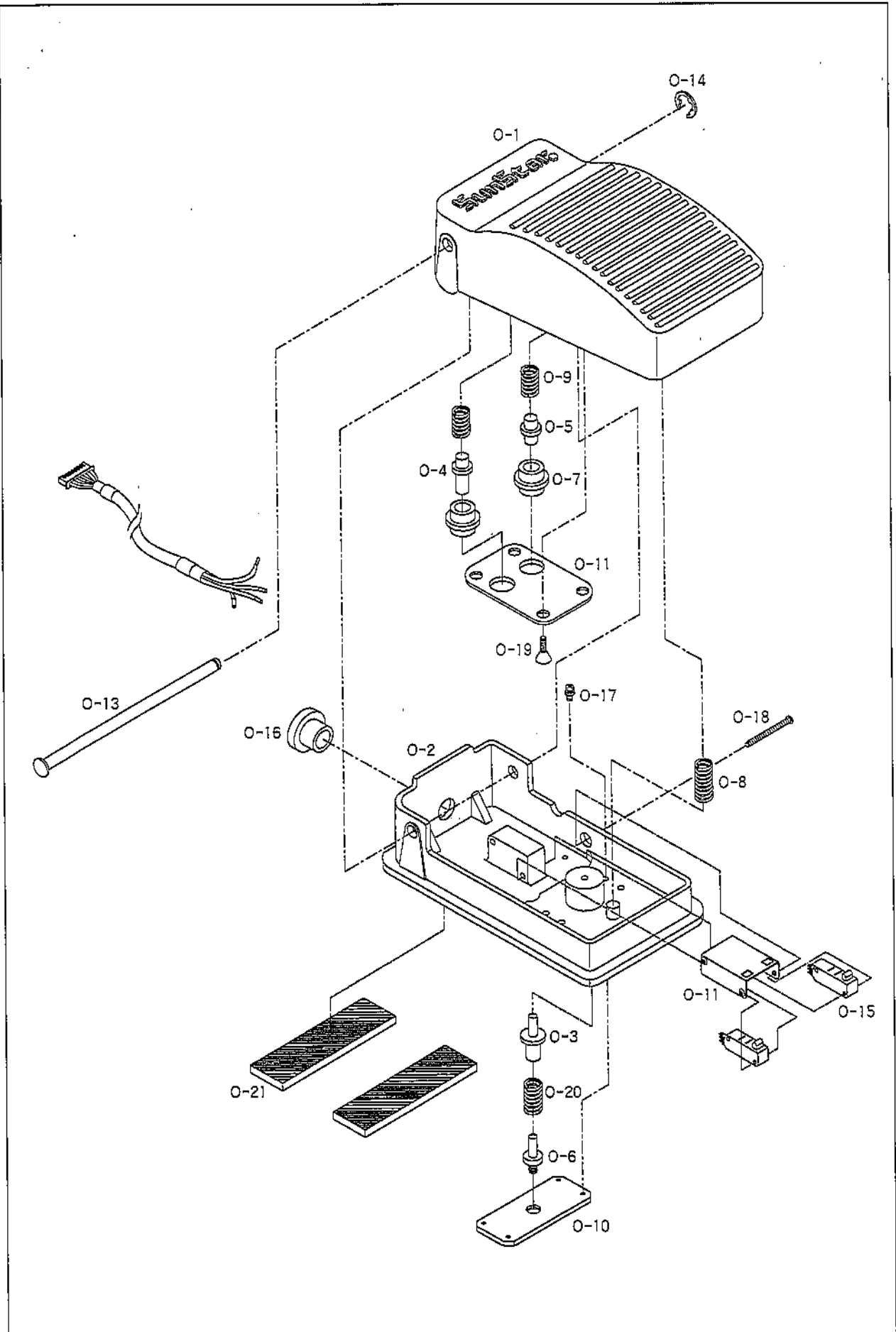


Operation Unit Mechanism





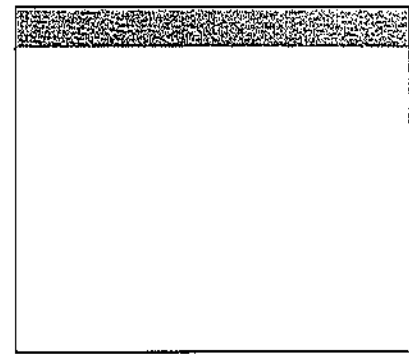
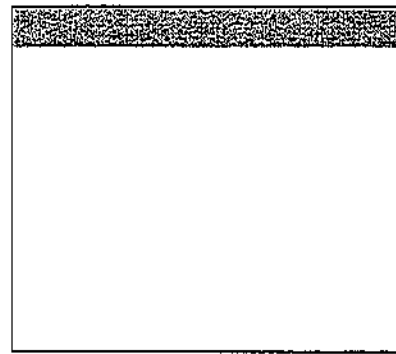
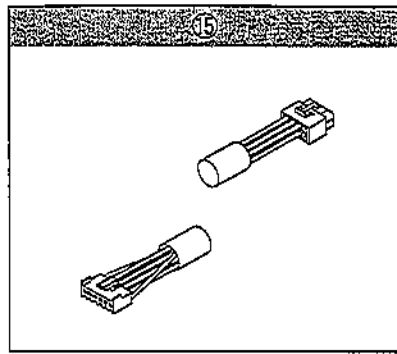
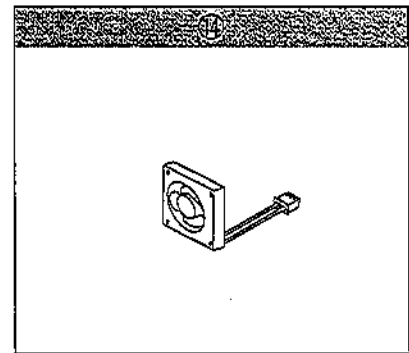
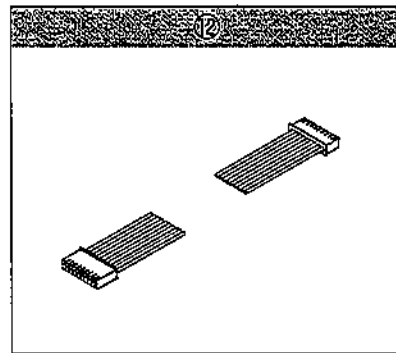
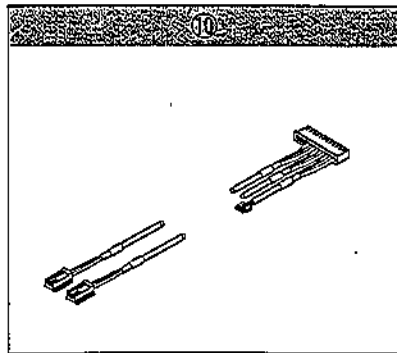
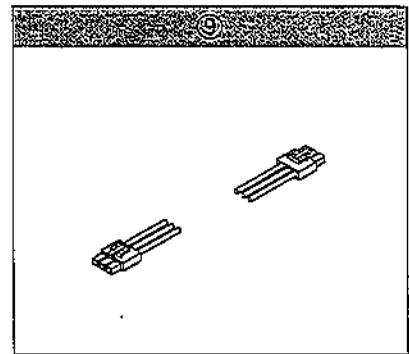
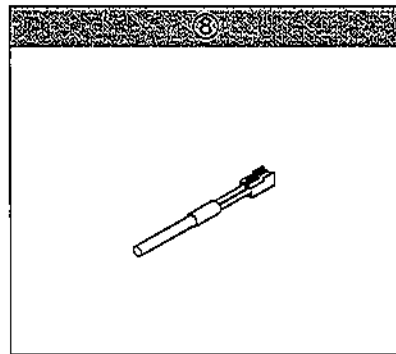
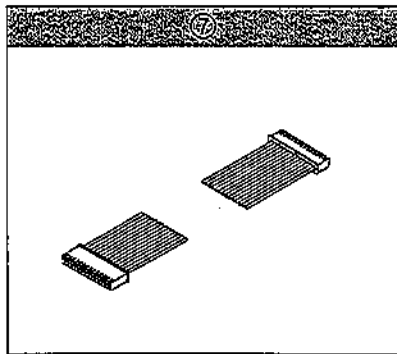
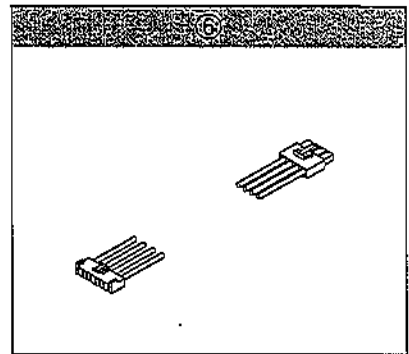
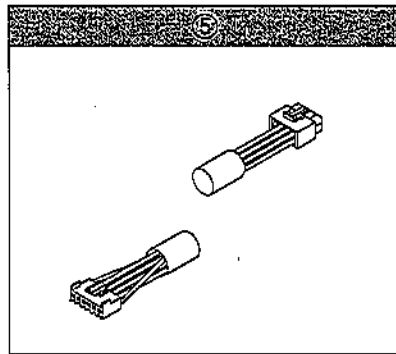
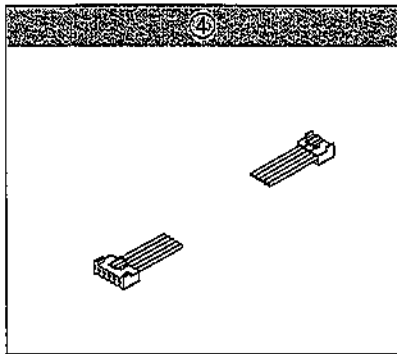
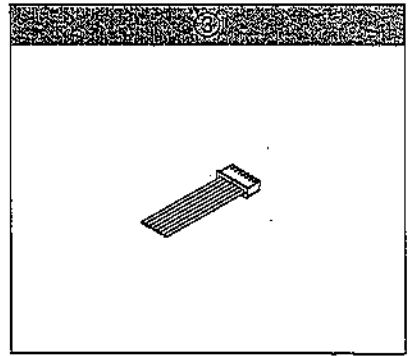
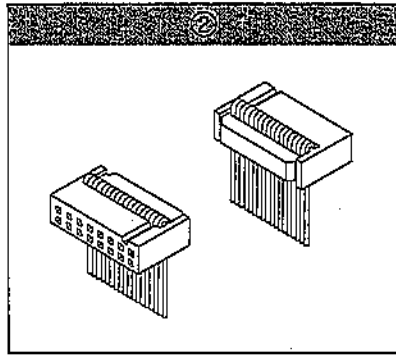
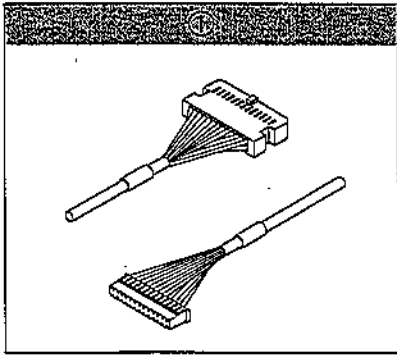
Pedal Mechanism



Ref. No.	Parts No.	Notes	Name of Parts	Qty	Assembly No.
O-1	10-001A-PT11		Cover	1	
O-2	10-002A-PT11		Base	1	
O-3	10-001B-PT11		Stopper A	1	
O-4	10-002B-PT11		Stopper B	1	
O-5	10-003B-PT11		Stopper C	1	
O-6	10-004B-PT11		Guide A	1	
O-7	10-005B-PT11		Guide B	2	
O-8	10-006S-PT11		Spring A	2	
O-9	10-007S-PT11		Spring B	2	
O-10	10-006B-PT11		Guide Base	1	
O-11	10-007B-PT11		Guide Cover	1	
O-12	10-008B-PT11		Switch Cover	1	
O-13	10-003A-PT11		Shaft	1	
O-14	10-001S-SW68		E-Ring	1	
O-15	10-004A-PT11		MICRO SWITCH	2	
O-16	10-001C-PT11		GROMMET BUSH	1	
O-17	10-028S-SC53		Screw Guide Base(M3×P0.5 L=7)	4	
O-18	10-008M-PT11		Screw MICRO SWITCH(M3×P0.5 L=38)	2	
O-19	10-021M-SW66		Screw Guide Cover(M3×P0.5 L=6)	4	
O-20	10-008S-PT11		Spring C	1	
O-21	11-002M-PT10		Sponge(45×B10)	2	



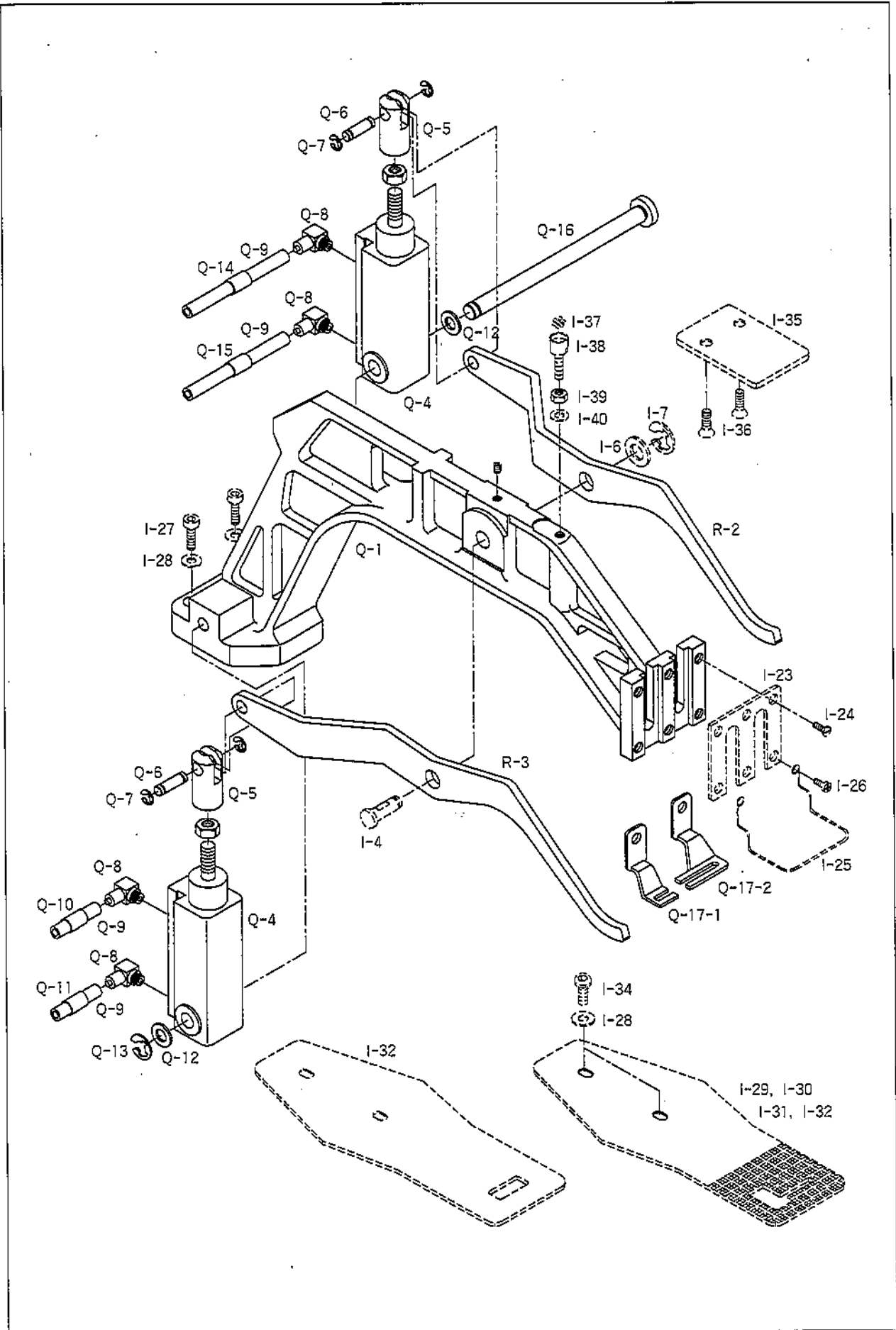
Cable Unit



Part No.	Part Name	Description	Quantity	Unit	
P-1	02-001B-BT01	Operator Cable		1	
P-2	02-008B-BT01	Step Motor Drive Signal Cable		1	
P-3		Foot Switch Input Cable		1	
P-4	02-011B-BT01	Solenoid Power Cable		1	
P-5	02-028A-120H	X Axis Step Motor Cable		1	
P-6	02-013B-BT01	Step Motor Power Cable		1	
P-7	02-009B-BT01	Servo Motor Drive Signal Cable		1	
P-8	02-005B-BT01	Presser Foot Solenoid Cable		1	
	02-030A-120H	Thread Trimming Solenoid Cable		1	
P-9	02-012B-BT01	Servo Motor Power Cable		1	
P-10		Sensor Input Cable		1	
P-12	02-010B-BT01	Servo Motor Auxiliary Cable		1	
P-14	02-014B-BT01	Cooling Fan Cable		1	
P-15	02-029A-120H	Y Axis Step Motor Cable		1	



Feed Mechanism

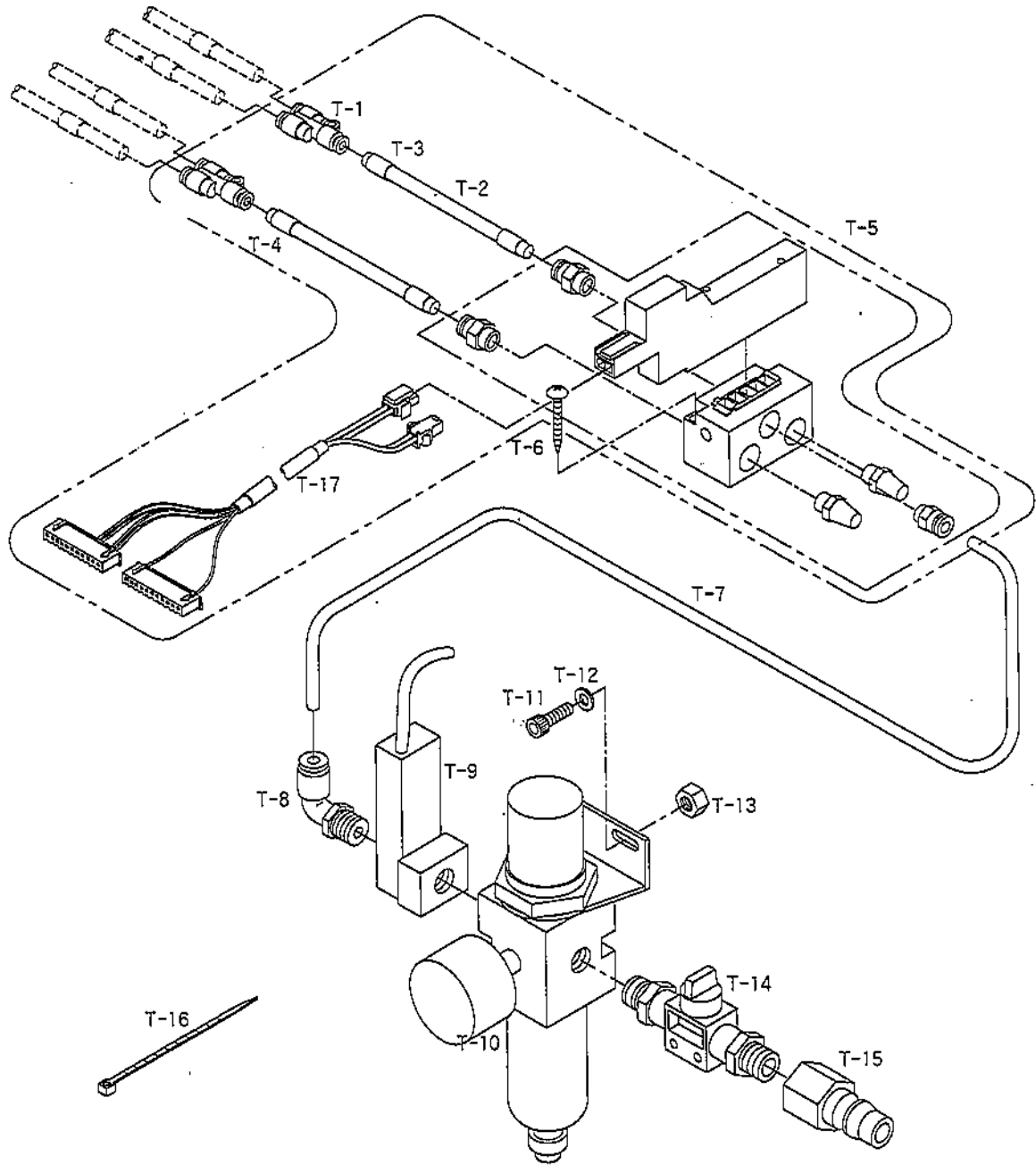


Q-No	Part No	Part Name	QTY	UNIT
Q-1	22-073A-12HA	Feed Bracket	1	
Q-2	22-075A-12HA	Lifting Lever(Right)	1	
Q-3	22-074A-12HA	Lifting Lever(Left)	1	
Q-4	22-076A-12HA	Air Cylinder	2	
Q-5	22A030S-306H	Cylinder Knuckle	2	
Q-6		Knuckle Pin	2	
Q-7	05-014C-1230	E-Ring(#4)	4	
Q-8	49A003S-811H	Hose Elbow(M-5HL-4)	4	
Q-9	05A039S-811H	Air Hose(TU-0425)	-	
Q-10	22A048S-811H	Air Hose Label(S4L)	2	
Q-11	22A049S-811H	Air Hose Label(S3R)	2	
Q-12		Cylinder Shaft Washer	2	
Q-13	04-009C-3710	E-Ring	1	
Q-14	22A048C-811H	Air Hose Label(S4R)	2	
Q-15	22A049S-811H	Air Hose Label(S3R)	2	
Q-16	22-077A-12HA	Cylinder Shaft	1	
Q-17-1	22-023A-12HA	Pneumatic Presser Foot(L)	1	
Q-17-2	22-024A-12HA	Pneumatic Presser Foot(R)	1	



Air Control Mechanism

GPS/A-0402-20

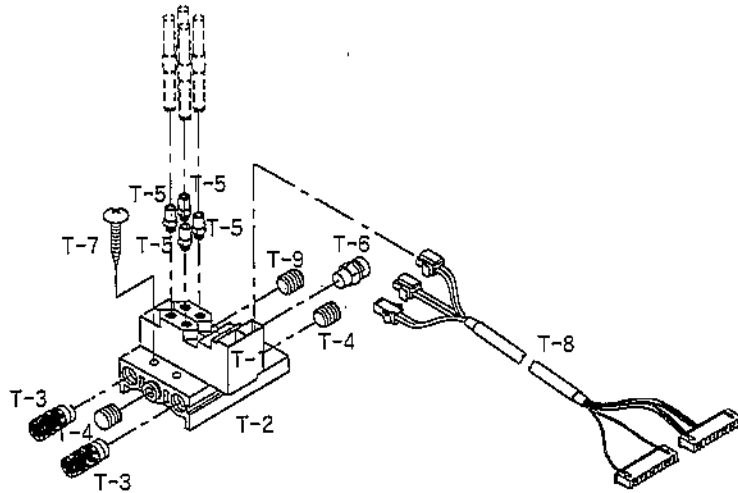


Part No.	Parts No.	Qty	Name of Part	Qty	Assembly No.
T-1	49-001A-12HA		Quick Coupling(PY0400)	2	
T-2	05A039S-811H		Air Hose	—	
T-3	22A065S-811H		Hose Lable(S3F)	2	
T-4	22A066S-811H		Hose Label(S4F)	2	
T-5	49-002A-12HA		Solenoid Valve Asm	1Set	
T-6			Screw	2	
T-7	05A039S-811H		Air Hoose	0.5	
T-8	49-004A-12HA		Elbow Union	1	
T-9	49A007S-811H		Air Pressure Switch	1	
T-10	49A006S-811H		Filter Regulator	1	
T-11			Screw(M5×P0.8)	2	
T-12			Washer	2	
T-13			Nut	2	
T-14	49A005S-811H		Finger Valve	1	
T-15	49A004S-30H1		Quick Joint Plug	1	
T-16	01A148S-811H		Cable Tie	5	
T-17	49-016A-12HA		Pneumatic I/O Cable	1	

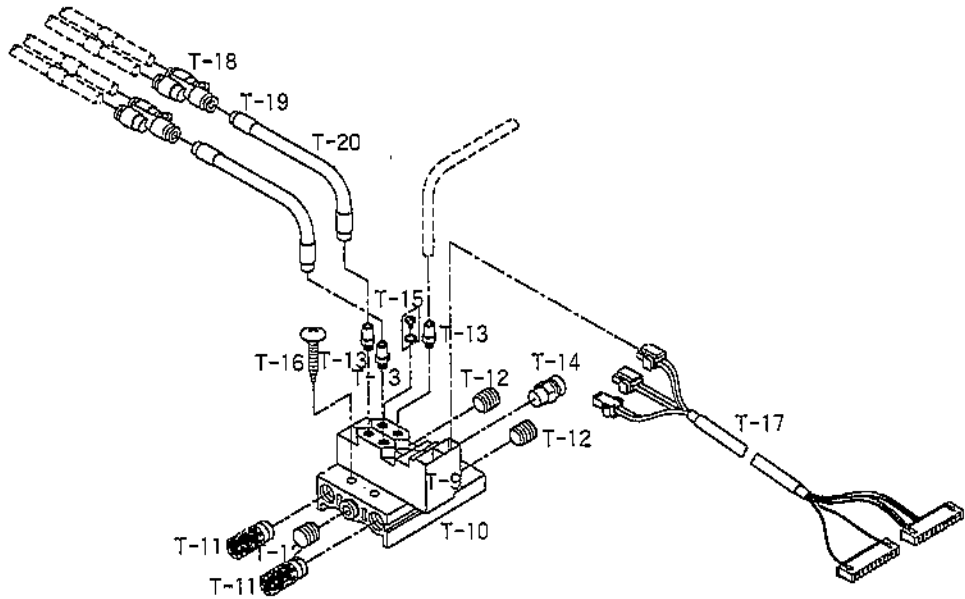


Air Control Mechanism

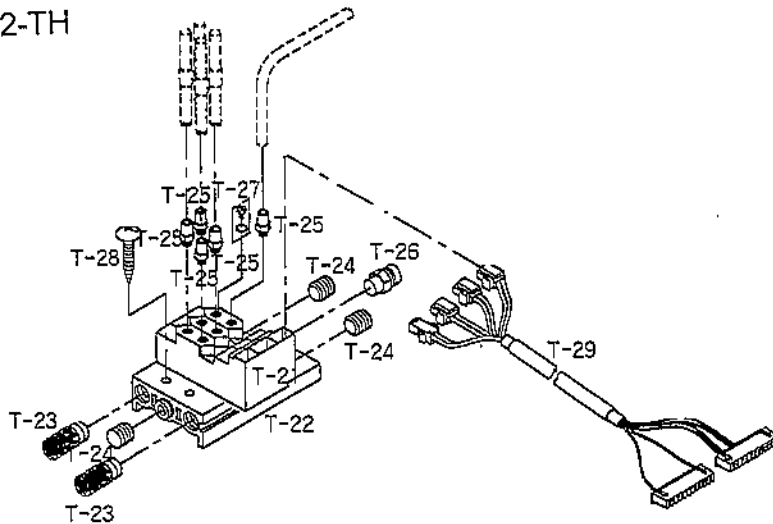
GPS/A-0402-22



GPS/A-0402-20-TH



GPS/A-0402-22-TH

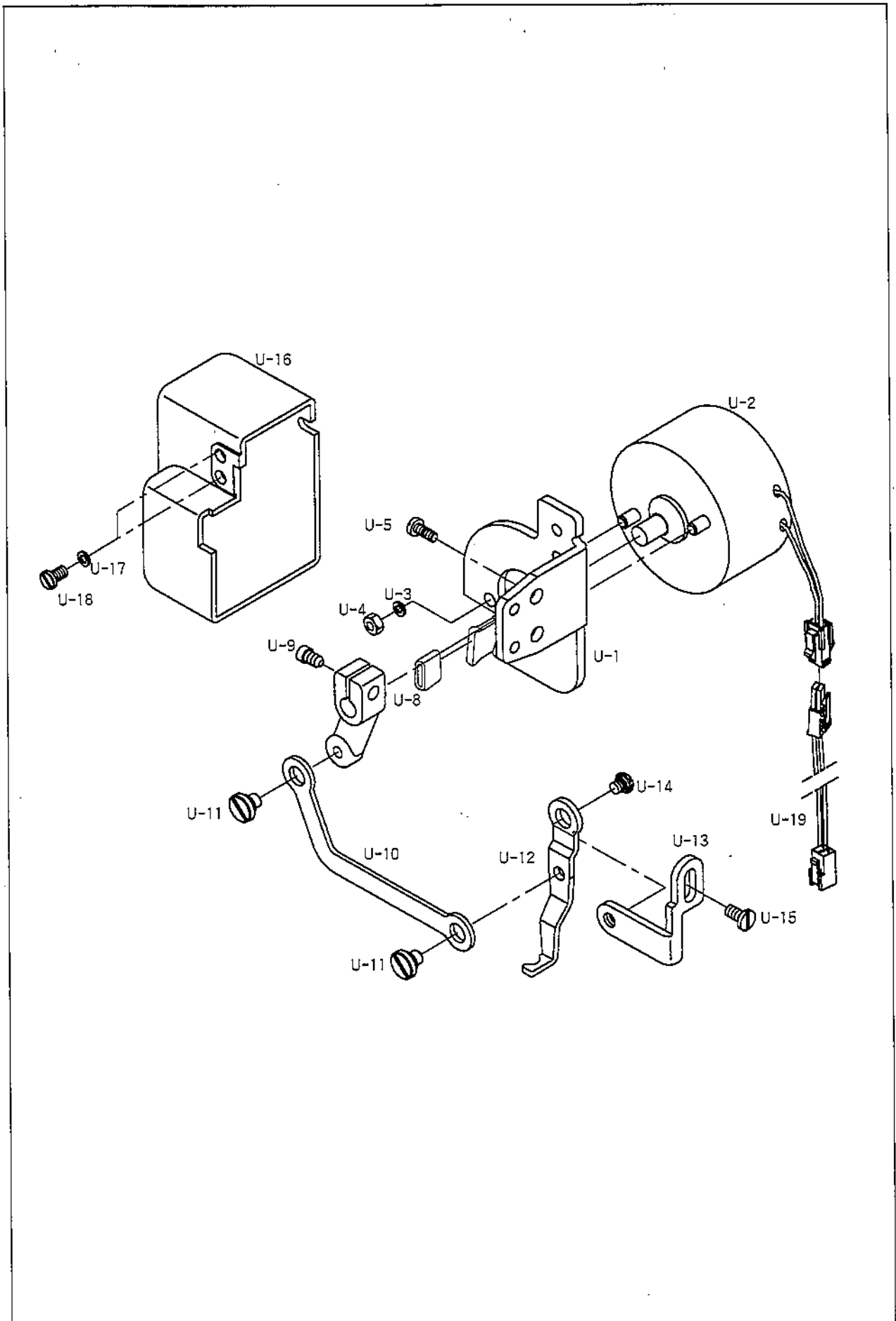


Part No.	Part No.	Note	Name of Part	Qty.	Assembly No.
T-1	22A046S-306H	HA-22	Solenoid Valve	2	
T-2	49A019S-811H		Manifold Block	1	
T-3	49A020S-811H		Silencer	2	
T-4	49A021S-811H		Plug B	3	
T-5	49A015S-811H		Hose Nipple	4	
T-6	49A014S-811H		Half Union	1	
T-7	90S021S-306H	HA-20-TH	Screw (M3×L30)	2	
T-8	49-016A-12HA		Pneumatic I/O Cable	1	
T-9	22A046S-306H		Solenoid Valve	2	
T-10	49A019S-811H		Manifold Block	1	
T-11	49A020S-811H		Silencer	2	
T-12	49A021S-811H		Plug B	3	
T-13	49A015S-811H		Hose Nipple	3	
T-14	49-008A-106L		Half Union	1	
T-15	09-004S-5030		Plug Bolt	1	
T-16	90S021S-306H		Screw (M3×L30)	2	
T-17	49-016A-12HA		Pneumatic I/O Cable	1	
T-18	49A016S-811H		Quick Coupling	2	
T-19	05A039S-811H		Air Hose	2	
T-20	22A201S-811H		Air Hose Tube	2	
T-21	22A046S-306H	HA-22-TH	Solenoid Valve	3	
T-22	50A048S-811H		Manifold Block	1	
T-23	49A020S-811H		Silencer	2	
T-24	49A021S-811H		Plug B	3	
T-25	49A015S-811H		Hose Nipple	5	
T-26	49-008A-106L		Half Union	1	
T-27	09-004S-5030		Plug Bolt	1	
T-28	90S21S-306H		Screw (M3×L30)	2	
T-29	49-016A-12HA		Pneumatic I/O Cable	1	

Note: HA-22→
HA-20-TH→
HA-22-TH→

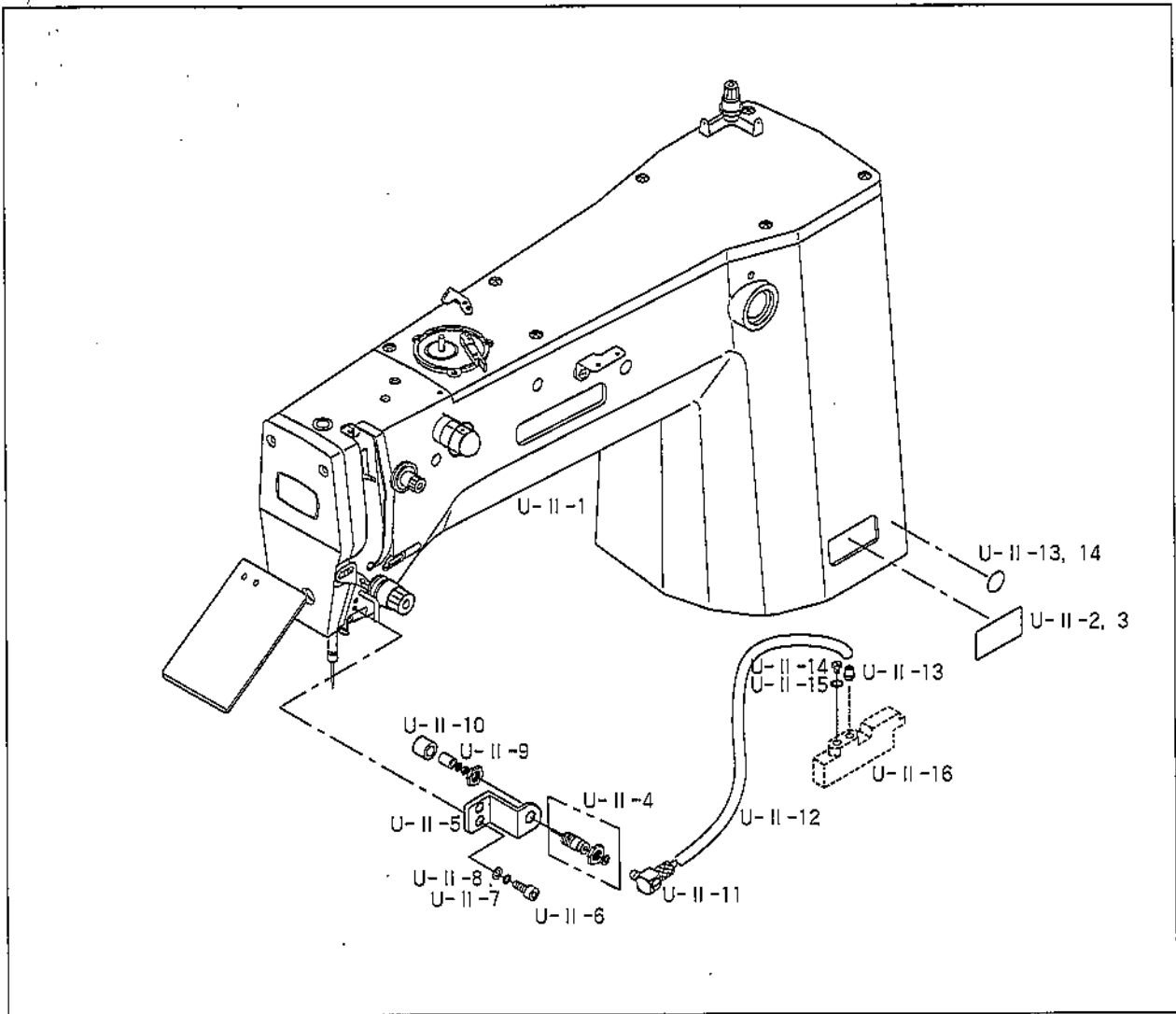


Wiper Mechanism (Option)





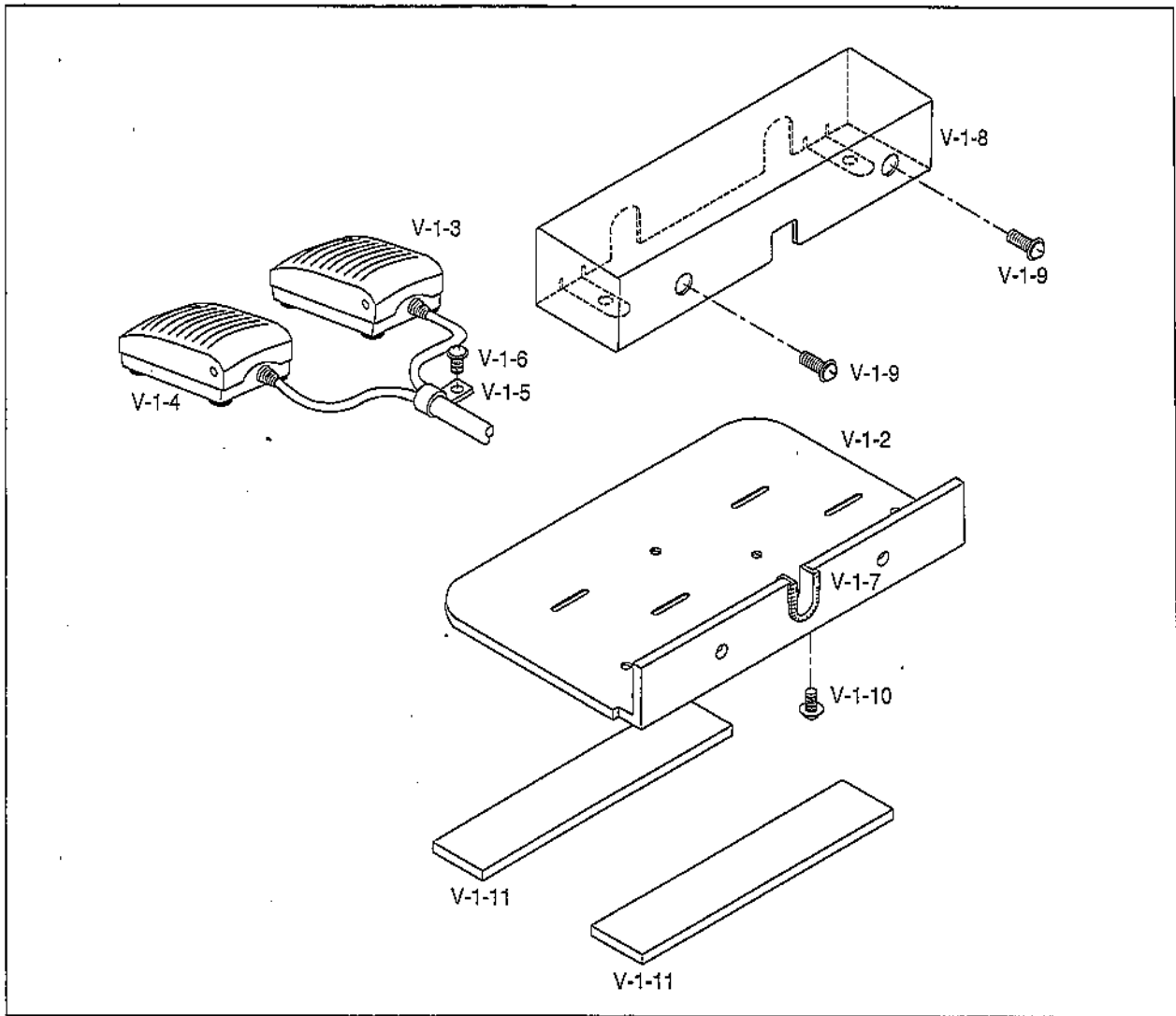
Upper Thread Holding Device (Option)



Ref. No.	Parts No.	No.	Name of Parts	Qty.	Assembly No.
U-II-1	01-002A-12HA		Arm(Pneumatic Type)	1	
U-II-2	01-054M-120D		Model Mark(Mono-Lithic Driven Presser Foot)	1	
U-II-3	01-056M-120D		Model Mark(Separately Driven Presser Foot)	1	
U-II-4	09-002A-5030		Upper Thread Holding Pin Cylinder(Ass'y)	1	
U-II-5	62-001A-12HA		Upper Thread Holding Pin Cylinder Bracket	1	
U-II-6	07016SC-4113		Screw	2	
U-II-7	18014SW-3115		Spring Washer	2	
U-II-8	18015CW-3111		Washer	2	
U-II-9	09-003C-5030		Upper Thread Holding Pin Cylinder Knuckle	1	
U-II-10	62-007G-12HA		Upper Thread Holding Pin Cylinder Knuckle Cap	1	
U-II-11	49A003S-811H		Hose Elbow	1	
U-II-12	49A001S-811H		Air Tube	1	
U-II-13	01-070M-12HA		Wiper Sub-Class Sticker (Electric)	1	
U-II-14	01-070M-12HA		Upper Thread Holding Dvice Sticker	1	



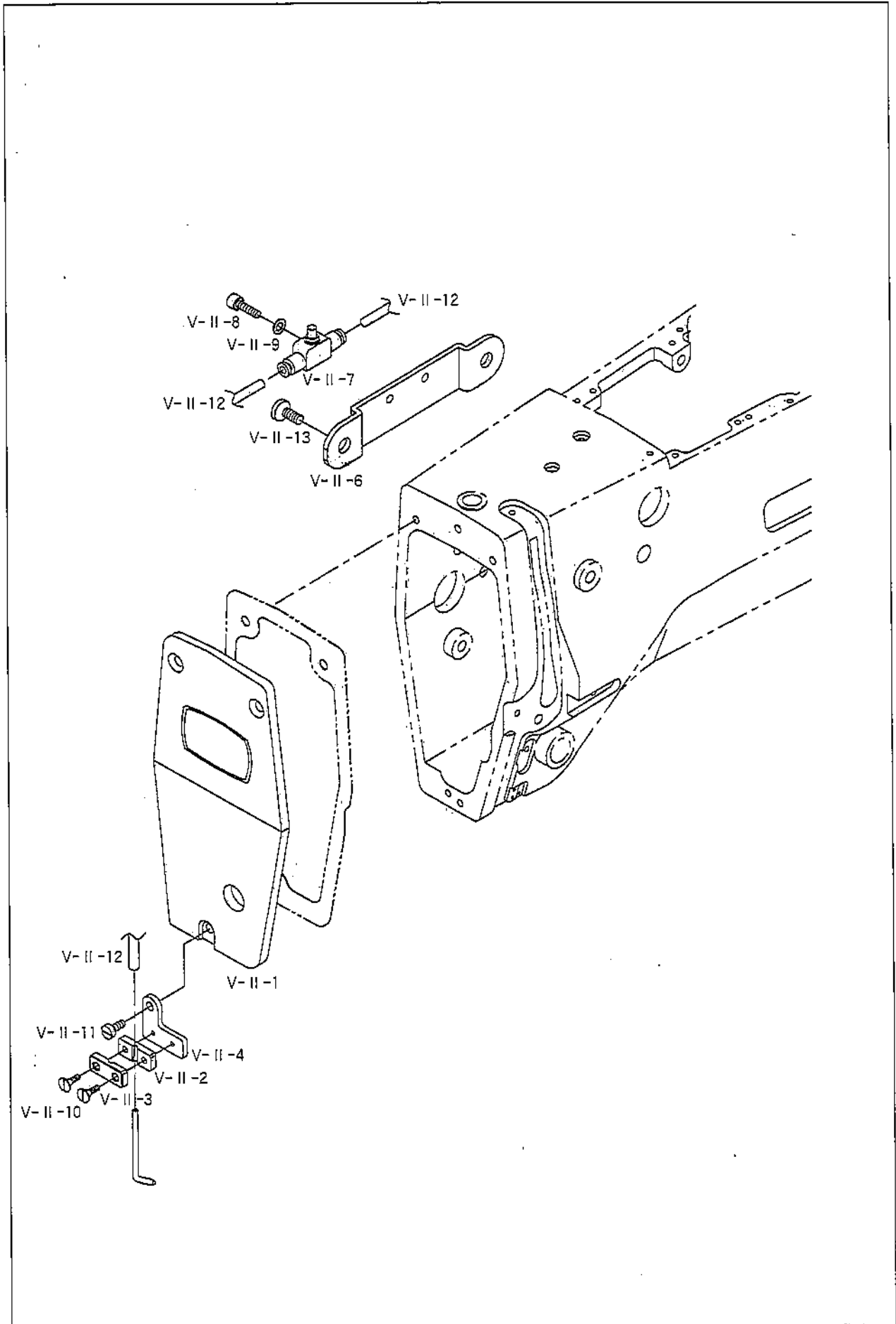
Pedal Mechanism



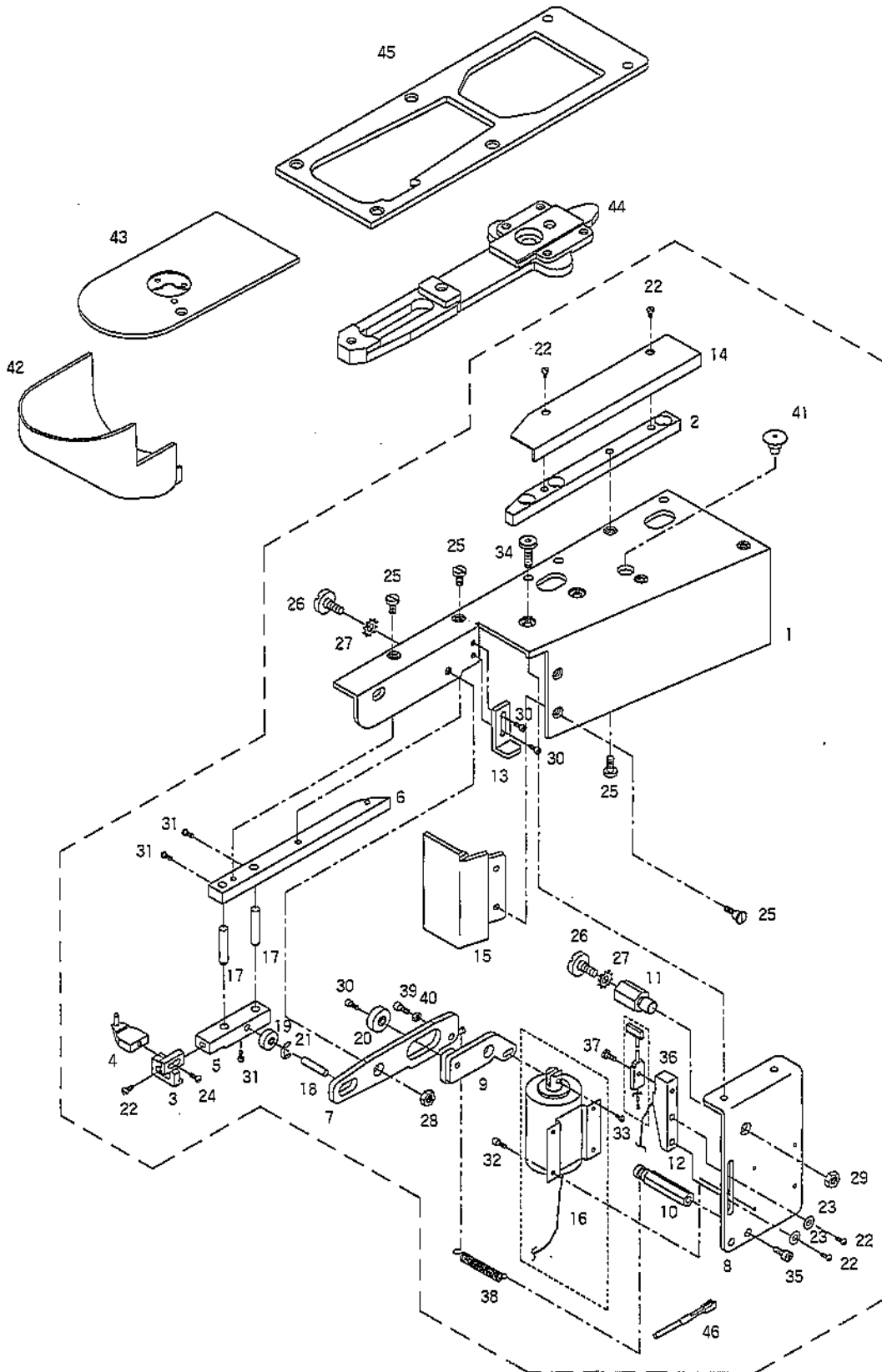
Ref. No.	Parts No.	Note	Name of Parts	Qty	Assembly No.
V-I-1	12-012A-PT11		Foot Switch Ass'y	1Set	
V-I-2	11-001A-PT10		Base Foot Switch	1	
V-I-3	11-1000-PT11		One Step Stroke	1	
V-I-4	11-2000-PT11		Two Step Stroke	1	
V-I-5	08-015C-3701		Clamp Cable	2	
V-I-6	09-031S-3701		Screw Clamping Cable Ass'y(M4×0.7 L=8)	1	
V-I-7	11-001S-PT10		Ending Bushing	1	
V-I-8	11-003A-PT10		Cover Foot Switch	1	
V-I-9	07-004S-SM5S		Screw Ass'y for "A" Foot Switch Cover(M4×0.7 L=8)	2	
V-I-10	10-028S-SC53		Screw Ass'y for "B" Foot Switch Cover(M3×0.5 L=8)	2	
V-I-11	11-002M-PT10		Sponge	2	



Needle Cooler Device (Option)



Ref. No.	Part No.	Note	Name of Parts	Qty	Assembly No.
V-II-1			Face Plate	1	
V-II-2			Guide A	1	
V-II-3			Guide B	1	
V-II-4			Guide Bracket	1	
V-II-5			Nozzle	1	
V-II-6			Bracket For Air Blow Speed Controller	1	
V-II-7			Speed Controller	1	
V-II-8			Bolt For Speed Controller	2	
V-II-9			Washer For Speed Controller	2	
V-II-10			Screw	2	
V-II-11			Screw	1	
V-II-12			Air Tube ($\varnothing 4$)	0.3m	
V-II-13			Screw	2	





Option Parts

Standard Type

Part Name	SPS/A(B)-B1201 <input type="checkbox"/>			
	HA	H	M	
WORK CLAMP FOOT				
Ass'y	22-501A-120H	-	-	
Left	U:22-601A-120H D:22-602A-120H	22-019A-120H	22-021A-120M	
Right	U:22-603A-120H D:22-604A-120H	22-0202A-120H	22-022A-120M	
FEED PLATE				
	22-143A-120H	22-029A-120H	22-146A-120H	22-030A-120M

54

Part Name	SPS/A(B)-B1201 <input type="checkbox"/>						
	L			K			
WORK CLAMP FOOT				Without Knurling	Without Knurling		
Left	22-023A-120L			22-023A-120K	22-123A-120K		
Right	22-024A-120L			22-024A-120K	22-124A-120K		
FEED PLATE		Without Knurling	t=0.8	t=0.8 Without Knurling		Without Knurling	
	22-033A-120L	22-034A-120L	22-035A-120L		22-035A-120K	22-135A-120K	

Part No.	Part No.	Note	Name of Parts	Qty	Assembly No.
W-1	A-B1201-HP		Hole Pattern Attachment	1	
W-2	85-001A-12HP		Cover Guide	1	
W-3	85-002A-12HP		Pin Plate A	1	
W-4	85-003P-12HP		Pin A	1	
W-5	85-004A-12HP		Pin Plate B	1	
W-6	85-005A-12HP		Pin Plate C	1	
W-7	85-006A-12HP		Pin Plate D	1	
W-8	85-007C-12HP		Link-Lever A	1	
W-9	85-008C-12HP		Link-Lever B	1	
W-10	15-015S-3500		Bolt A	1	
W-11	85-010S-12HP		Bolt B	1	
W-12	85-011A-12HP		Sensor Plate	1	
W-13	85-012C-12HP		Stoper	1	
W-14	85-013A-12HP		Cover A	1	
W-15	85-014A-12HP		Cover B	1	
W-16	10-044A-9677		Solenoid	1	
W-17	85-016P-12HP		Pin B	2	
W-18	85-017P-12HP		Pin C	1	
W-19	85-034A-12HP		Bearing	1	
W-20	85-019C-12HP		Bearing	1	
W-21	85-037C-12HP		E Ring	1	
W-22	85-020S-12HP		Screw	5	
W-23	85-021W-12HP		Washer	2	
W-24	85-033S-12HP		Screw	1	
W-25	SC-A119-4119		Screw	5	
W-26	15-015S-3500		Screw	2	
W-27	85-036HP-12HP		Wave Washer	2	
W-28	SN-0107-1230		Nut	1	
W-29	85-035S-12HP		Nut	1	
W-30	85-025S-12HP		Screw	3	
W-31	85-026S-12HP		Screw	3	
W-32	85-027S-12HP		Screw	4	
W-33	85-028S-12HP		Screw	1	
W-34	85-029S-12HP		Screw	2	
W-35	85-030S-12HP		Screw	1	
W-36	15-027A-2070		Sensor	1	
W-37	88-032S-12HP		Screw	1	
W-38	85-038G-12HP		Spring	1	
W-39	85-039S-12HP		Screw	1	
W-40	85-040S-12HP		Nut	1	
W-41	85-018R-12HP		Rubber Cap	1	
W-42	07S147S-306H		Hook Cover	1	
W-43	10-340A-120H		Needle Plate	1	
W-44	20-148A-120H		Cloth Feed Plate	1	
W-45	20-249A-120H		Feed Guide Bracket	1	
W-46	15-027A-12HP		Sensor connecting Cable	1	

Option Type

Part Name	Option -1	Option -2	Option -3	Option -4	Option -5	Option -5-1	Option -6
WORK CLAMP FOOT							
Left	22-119A-120H	22-121A-120H	22-126A-120H	22-135A-120H	22-141A-120H	22-502A-120H (Ass'y)	22-144A-120H
Right	22-120A-120H	22-122A-120H	22-127A-120H	22-136A-120H	22-142A-120H		22-145A-120H
FEED PLATE							
	22-129A-120H	22-130A-120H	22-128A-120H	22-030A-120M		22-143A-120H	22-147A-120H

Part Name	Option-Lengthwise	Option-Half Moon		Option-Circle		
WORK CLAMP FOOT						
Left	22-123A-120L	22-131A-120H	22-231A-120H	22-138A-120H	22-238A-120H	22-539A-120H (Ass'y)
Right	22-124A-120L	22-132A-120H	22-232A-120H	22-139A-120H	22-239A-120H	
FEED PLATE						
	22-133A-120L	22-134A-120H	22-234A-120H	22-140A-120H	22-240A-120H	
FINGER GUARD		—	—			
	22-125A-120H	—	—		22-125A-120H	

Changed Parts List

No.	Ref. No.	Parts No.	Name of Parts	Contents	Date	Old Parts No.	Remarks
1	C-26	07-128A-120H	Shuttle(H-Type)	Substitution	02. 01	07-028A-120H	02. 1/4
2	C-27	07-129A-120	Shuttle(M-Type)	Substitution	02. 01	07-029A-120M	02. 1/4
3	I-29	22-129A-120H	Feed Plate	Substitution	02. 01	07-029A-120H	02. 1/4
4	C-29	07S033S-306H	Screw For Shuttle Driver	Substitution	02. 01	SC-0211-7500	02. 1/4
5	H-36	22-151A-12HA	X-Step Motor Cable	Chang of Blue point	02. 01		02. 1/4
6	H-37	22-153A-12HA	Y-Step Motor Cable	Chang of Blue point	02. 01		02. 1/4
7	G-1	12-0000-BT13	Trimming Solenoid Ass'y	Substitution	02. 01	10S001S-306H	02. 1/4
8	F-1	11-101A-120H	Wiper Driving Lever	Chang of Blue point	02. 01	11-001A-120H	02. 1/4
9	E-28	55-011S-5050	Set Screw	Substitution	02. 01	SC-0202-5050	02. 1/4
10	D-2	01-0000-BT13	Presser Plate Solenoid Ass'y	Chang of Blue point	02. 03	11-0000-BT10	02. 1/4
11	B-46	25S105S-306H	Hand Pulley Shaft	Chang of Blue point	02. 03	25S005S-306H	02. 1/4
12	B-51	02-026A-120D	Hand Pulley	Chang of Blue point	02. 03	25S104S-306H	02. 1/4
13	C-22	07-224A-120H	Bobbin	Substitution	02. 08	07-124A-120H	02. 3/4
14	L-10	07-224A-120H	Bobbin	Substitution	02. 08	07-124A-120H	02. 3/4
15	E-26	06-046W-7400	Washer For Feed Bar Shaft	Chang of Blue point	02. 09	06-051W-7400	02. 3/4
16	B-49	20S008S-306H	Spring Pin	Deleted parts	02. 09		02. 3/4
17	I-25	22-125A-120H	Finger Guard	Chang of Blue point	02. 09	22-025A-120H	02. 3/4
18	B-4	02S003S-306H	Link Cam Washer	Chang of Blue point	02. 09	16-020W-9570	02. 3/4
19	B-8	08S101P-306H	Thread Take Up Lever Complete	Substitution	02. 11	08S001P-306H	02. 3/4
20	B-6	02-003S-2500	Screw For Link Cam	Substitution	03. 03	SC-0535-3710	03. 1.4
21	B-16	08S101S-306H	Thread Take Up Lever Ass'y	Substitution	03. 03	08S001S-306H	03. 1.4
22							
23							
24							
25							

NOTE)



Option Type

Part Name	Option -1	Option -2	Option -3	Option -4	Option -5	Option -5-1	Option -6
WORK CLAMP FOOT							
Left	22-119A-120H	22-121A-120H	22-126A-120H	22-135A-120H	22-141A-120H	22-502A-120H (Ass'y)	22-144A-120H
Right	22-120A-120H	22-122A-120H	22-127A-120H	22-136A-120H	22-142A-120H		22-145A-120H
FEED PLATE							
	22-129A-120H	22-130A-120H	22-128A-120H	22-030A-120M	22-143A-120H		22-147A-120H

Part Name	Option-Lengthwise	Option-Half Moon		Option-Circle		
WORK CLAMP FOOT						
Left	22-123A-120L	22-131A-120H	22-231A-120H	22-138A-120H	22-238A-120H	22-539A-120H (Ass'y)
Right	22-124A-120L	22-132A-120H	22-232A-120H	22-139A-120H	22-239A-120H	
FEED PLATE						
	22-133A-120L	22-134A-120H	22-234A-120H	22-140A-120H	22-240A-120H	
FINGER GUARD		—	—			
	22-125A-120H	—	—	22-125A-120H		

Changed Parts List

No.	Ref. No.	Parts No.	Name of Parts	Contents	Date	Old Parts No.	Remarks
1	C-26	07-128A-120H	Shuttle(H-Type)	Substitution	02. 01	07-028A-120H	02. 1/4
2	C-27	07-129A-120	Shuttle(M-Type)	Substitution	02. 01	07-029A-120M	02. 1/4
3	I-29	22-129A-120H	Feed Plate	Substitution	02. 01	07-029A-120H	02. 1/4
4	C-29	07S033S-306H	Screw For Shuttle Driver	Substitution	02. 01	SC-0211-7500	02. 1/4
5	H-36	22-151A-12HA	X-Step Motor Cable	Chang of Blue point	02. 01		02. 1/4
6	H-37	22-153A-12HA	Y-Step Motor Cable	Chang of Blue point	02. 01		02. 1/4
7	G-1	12-0000-BT13	Trimming Solenoid Ass'y	Substitution	02. 01	10S001S-306H	02. 1/4
8	F-1	11-101A-120H	Wiper Driving Lever	Chang of Blue point	02. 01	11-001A-120H	02. 1/4
9	E-28	55-011S-5050	Set Screw	Substitution	02. 01	SC-0202-5050	02. 1/4
10	D-2	01-0000-BT13	Presser Plate Solenoid Ass'y	Chang of Blue point	02. 03	11-0000-BT10	02. 1/4
11	B-46	25S105S-306H	Hand Pulley Shaft	Chang of Blue point	02. 03	25S005S-306H	02. 1/4
12	B-51	02-026A-120D	Hand Pulley	Chang of Blue point	02. 03	25S104S-306H	02. 1/4
13	C-22	07-224A-120H	Bobbin	Substitution	02. 08	07-124A-120H	02. 3/4
14	L-10	07-224A-120H	Bobbin	Substitution	02. 08	07-124A-120H	02. 3/4
15	E-26	06-046W-7400	Washer For Feed Bar Shaft	Chang of Blue point	02. 09	06-051W-7400	02. 3/4
16	B-49	20S008S-306H	Spring Pin	Deleted parts	02. 09		02. 3/4
17	I-25	22-125A-120H	Finger Guard	Chang of Blue point	02. 09	22-025A-120H	02. 3/4
18	B-4	02S003S-306H	Link Cam Washer	Chang of Blue point	02. 09	16-020W-9570	02. 3/4
19	B-8	08S101P-306H	Thread Take Up Lever Complete	Substitution	02. 11	08S001P-306H	02. 3/4
20	B-6	02-003S-2500	Screw For Link Cam	Substitution	03. 03	SC-0535-3710	03. 1.4
21	B-16	08S101S-306H	Thread Take Up Lever Ass'y	Substitution	03. 03	08S001S-306H	03. 1.4
22							
23							
24							
25							

NOTE)

Changed Parts List

No.	Ref. No.	Parts No.	Name of Parts	Contents	Date	Old Parts No.	Remarks
41							
42							
43							
44							
45							
46							
47							
48							
49							
50							
51							
52							
53							
54							
55							
56							
57							
58							
59							
60							

NOTE)

